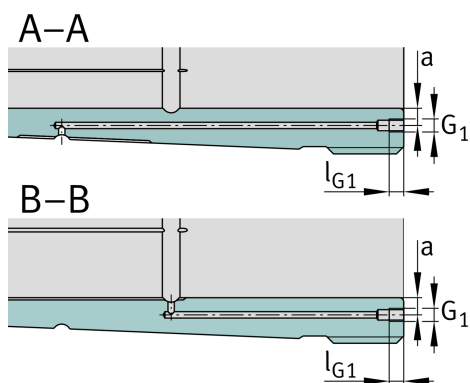
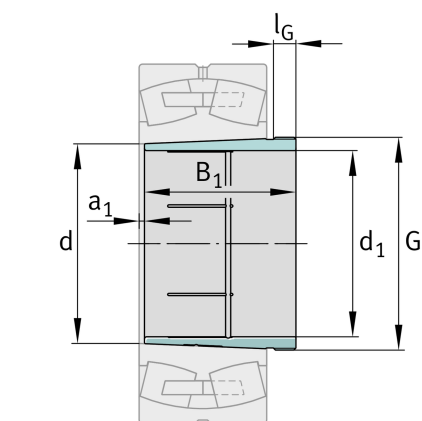


**FAG****AH24068-H**

Withdrawal sleeve

Schaeffler ID:
0191384580000Withdrawal sleeve AH...-H, accessory
rolling bearing, hydraulic, finished part

Technical information

**Main Dimensions & Performance Data**

d_1	320 mm	bore diameter
G	Tr360X5	Thread
B_1	206 mm	sleeve length
	22,01 kg	Weight

Dimensions

d	340 mm	Bore diameter
a_1	19 mm	Bearing overhang
l_G	26 mm	Thread length

Mounting dimensions

G_1	G1/8	Thread oil connector
a	8,5 mm	Distance oil connector
l_{G1}	12 mm	Thread depth oil connector

Additional information

	1:30	Taper
--	------	-------

