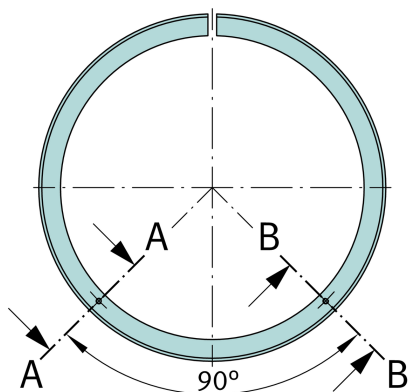
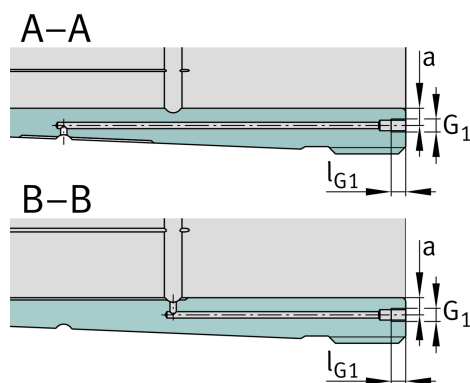
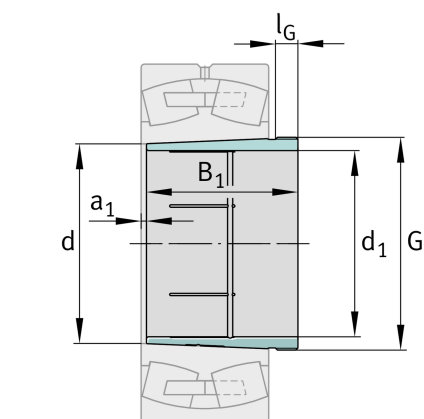




Technical information



AH24148-H

Withdrawal sleeve

Schaeffler ID:
0167269790000

Withdrawal sleeve AH...-H, accessory
rolling bearing, hydraulic, finished part

Main Dimensions & Performance Data

d_1	220 mm	bore diameter
G	Tr260X4	Thread
B_1	180 mm	sleeve length
	12,6 kg	Weight

Dimensions

d	240 mm	Bore diameter
a_1	15 mm	Bearing overhang
l_G	20 mm	Thread length

Mounting dimensions

G_1	G1/8	Thread oil connector
a	8,5 mm	Distance oil connector
l_{G1}	12 mm	Thread depth oil connector

Additional information

	1:30	Taper
--	------	-------