



FAG

★ 3202-BD-XL-2Z-TVH

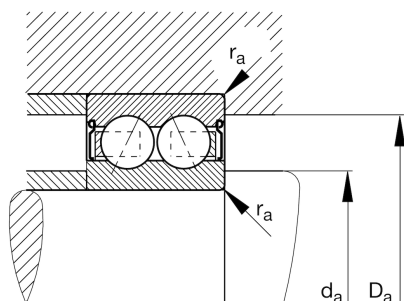
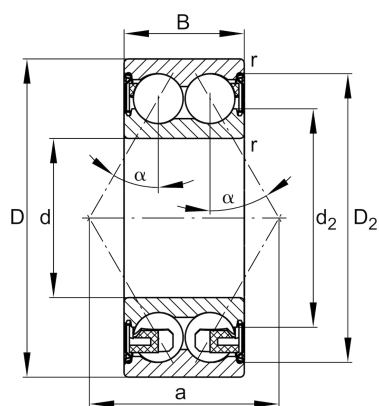
Angular contact ball bearing

Schaeffler ID:
0647981780000Angular contact ball bearing 32..-BD-
XL-2Z-TVH, double row, X-life, shields,
plastic cage

★ Preferred product

X-life

Technical information



Temperature range

T_{\min}	-20 °C	Operating temperature min.
T_{\max}	120 °C	Operating temperature max.
	0,065 kg	Weight

Main Dimensions & Performance Data

d	15 mm	Bore diameter
D	35 mm	Outside diameter
B	15,9 mm	Width
C_r	12.600 N	Basic dynamic load rating, radial
C_{0r}	7.400 N	Basic static load rating, radial
C_{ur}	520 N	Fatigue load limit, radial
n_G	16.700 1/min	Limiting speed
n_{gr}	18.500 1/min	Reference speed

Dimensions

r_{\min}	0,6 mm	Minimum chamfer dimension
D_2	31,1 mm	Caliber diameter outer ring
d_2	21 mm	Caliber diameter inner ring
a	20,7 mm	Distance between the apexes of the pressure cones
α	30 °	Contact angle

Mounting dimensions

$d_{a \min}$	19,2 mm	Minimum diameter shaft shoulder
$D_{a \max}$	30,8 mm	Maximum diameter of housing shoulder
$r_{a \max}$	0,6 mm	Maximum fillet radius