

FAG

★ 3203-BD-XL

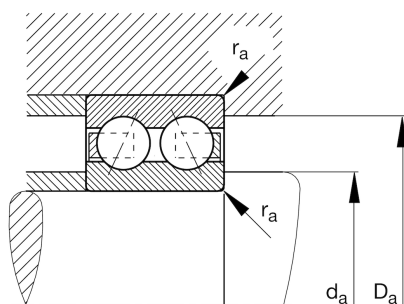
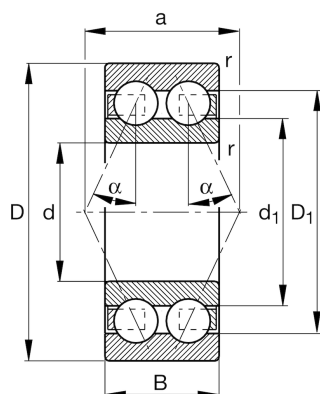
Angular contact ball bearing

Schaeffler ID:
0709191600000Angular contact ball bearing 32..-BD-XL,
double row, X-life, steel sheet metal cage

★ Preferred product

X-life

Technical information



Temperature range

T_{min}	-30 °C	Operating temperature min.
T_{max}	120 °C	Operating temperature max.
	0,095 kg	Weight

Main Dimensions & Performance Data

d	17 mm	Bore diameter
D	40 mm	Outside diameter
B	17,5 mm	Width
C_r	15.500 N	Basic dynamic load rating, radial
C_{0r}	9.500 N	Basic static load rating, radial
C_{ur}	660 N	Fatigue load limit, radial
n_G	19.400 1/min	Limiting speed
n_{gr}	16.600 1/min	Reference speed

Dimensions

r_{min}	0,6 mm	Minimum chamfer dimension
D_1	33,9 mm	Shoulder diameter outer ring
d_1	25,8 mm	Shoulder diameter inner ring
a	23,5 mm	Distance between the apexes of the pressure cones
α	30 °	Contact angle

Mounting dimensions

$d_{a min}$	21,2 mm	Minimum diameter shaft shoulder
$D_{a max}$	35,8 mm	Maximum diameter of housing shoulder
$r_{a max}$	0,6 mm	Maximum fillet radius