



FAG

★ 3203-BD-XL-2Z-TVH

Angular contact ball bearing

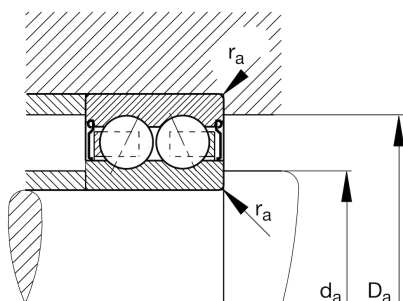
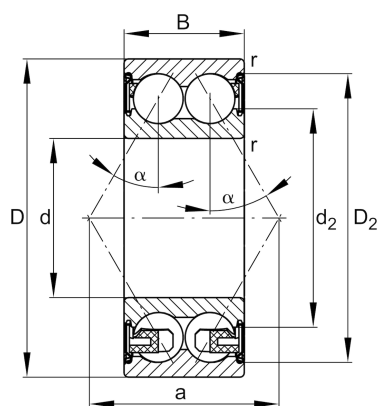
Schaeffler ID:
0636628250000

★ Preferred product

Angular contact ball bearing 32..-BD-XL-2Z-TVH, double row, X-life, shields, plastic cage

X-life

Technical information



Temperature range

T_{\min}	-20 °C	Operating temperature min.
T_{\max}	120 °C	Operating temperature max.
	0,094 kg	Weight

Main Dimensions & Performance Data

d	17 mm	Bore diameter
D	40 mm	Outside diameter
B	17,5 mm	Width
C_r	15.500 N	Basic dynamic load rating, radial
C_{0r}	9.500 N	Basic static load rating, radial
C_{ur}	660 N	Fatigue load limit, radial
n_G	14.600 1/min	Limiting speed
n_{gr}	16.600 1/min	Reference speed

Dimensions

r_{\min}	0,6 mm	Minimum chamfer dimension
D_2	36,1 mm	Caliber diameter outer ring
d_2	24,4 mm	Caliber diameter inner ring
a	23,5 mm	Distance between the apexes of the pressure cones
α	30 °	Contact angle

Mounting dimensions

$d_{a \min}$	21,2 mm	Minimum diameter shaft shoulder
$D_{a \max}$	35,8 mm	Maximum diameter of housing shoulder
$r_{a \max}$	0,6 mm	Maximum fillet radius