



FAG

★ 3204-BD-XL-2Z

Angular contact ball bearing

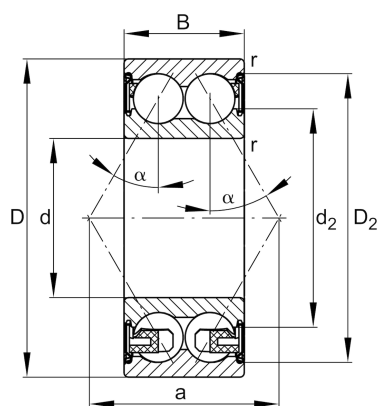
Schaeffler ID:
0816597090000

Angular contact ball bearing 32..-BD-XL-2Z, double row, X-life, shields, steel sheet metal cage

★ Preferred product

X-life

Technical information



Temperature range

T_{\min}	-20 °C	Operating temperature min.
T_{\max}	120 °C	Operating temperature max.
	0,156 kg	Weight

Main Dimensions & Performance Data

d	20 mm	Bore diameter
D	47 mm	Outside diameter
B	20,6 mm	Width
C_r	20.600 N	Basic dynamic load rating, radial
C_{0r}	12.900 N	Basic static load rating, radial
C_{ur}	900 N	Fatigue load limit, radial
n_G	12.100 1/min	Limiting speed
n_{gr}	14.700 1/min	Reference speed

Dimensions

r_{\min}	1 mm	Minimum chamfer dimension
D_2	42,2 mm	Caliber diameter outer ring
d_2	29,2 mm	Caliber diameter inner ring
a	27,9 mm	Distance between the apexes of the pressure cones
α	30 °	Contact angle

Mounting dimensions

$d_{a \min}$	25,6 mm	Minimum diameter shaft shoulder
$D_{a \max}$	41,4 mm	Maximum diameter of housing shoulder
$r_{a \max}$	1 mm	Maximum fillet radius