

FAG

★ 3205-BD-XL-2HRS

Angular contact ball bearing

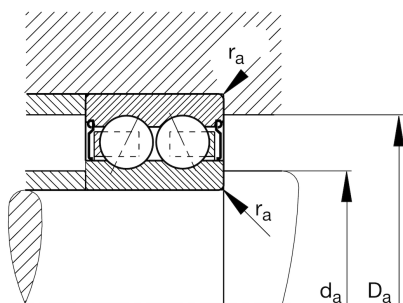
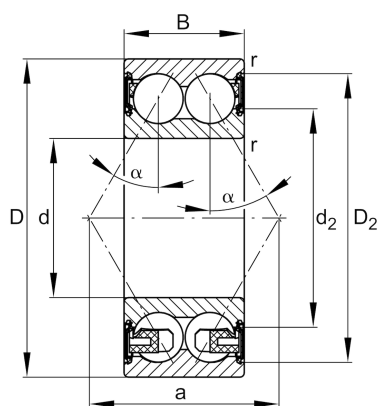
Schaeffler ID:
0822712590000

Angular contact ball bearing 32..-BD-XL-2HRS, double row, X-life, seals, steel sheet metal cage

★ Preferred product

X-life

Technical information



Temperature range

T_{\min}	-20 °C	Operating temperature min.
T_{\max}	110 °C	Operating temperature max.
	0,178 kg	Weight

Main Dimensions & Performance Data

d	25 mm	Bore diameter
D	52 mm	Outside diameter
B	20,6 mm	Width
C_r	22.000 N	Basic dynamic load rating, radial
C_{0r}	15.200 N	Basic static load rating, radial
C_{ur}	1.050 N	Fatigue load limit, radial
n_G	10.700 1/min	Limiting speed

Dimensions

r_{\min}	1 mm	Minimum chamfer dimension
D_2	47,6 mm	Caliber diameter outer ring
d_2	34,2 mm	Caliber diameter inner ring
a	30,8 mm	Distance between the apexes of the pressure cones
α	30 °	Contact angle

Mounting dimensions

$d_{a \min}$	30,6 mm	Minimum diameter shaft shoulder
$D_{a \max}$	46,4 mm	Maximum diameter of housing shoulder
$r_{a \max}$	1 mm	Maximum fillet radius