

FAG

## ★ 3205-BD-XL-TVH

Angular contact ball bearing

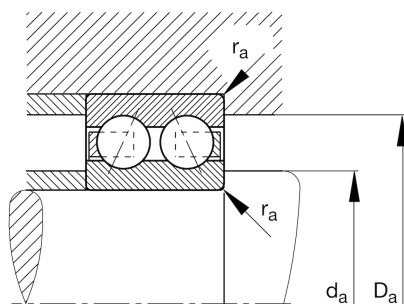
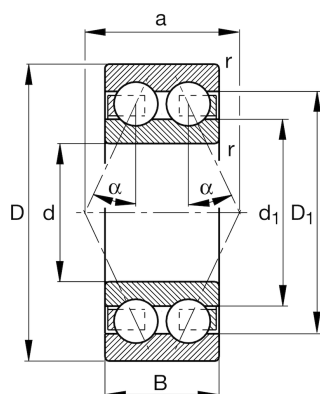
Schaeffler ID:  
0636895610000

Angular contact ball bearing 32..-BD-XL-TVH, double row, X-life, plastic cage

★ Preferred product

X-life

## Technical information



## Temperature range

$T_{\min}$	-30 °C	Operating temperature min.
$T_{\max}$	120 °C	Operating temperature max.
	0,17 kg	Weight

## Main Dimensions &amp; Performance Data

d	25 mm	Bore diameter
D	52 mm	Outside diameter
B	20,6 mm	Width
$C_r$	22.000 N	Basic dynamic load rating, radial
$C_{0r}$	15.200 N	Basic static load rating, radial
$C_{ur}$	1.050 N	Fatigue load limit, radial
$n_G$	14.300 1/min	Limiting speed
$n_{gr}$	12.500 1/min	Reference speed

## Dimensions

$r_{\min}$	1 mm	Minimum chamfer dimension
$D_1$	45,1 mm	Shoulder diameter outer ring
$d_1$	35,8 mm	Shoulder diameter inner ring
a	30,8 mm	Distance between the apexes of the pressure cones
$\alpha$	30 °	Contact angle

## Mounting dimensions

$d_{a\min}$	30,6 mm	Minimum diameter shaft shoulder
$D_{a\max}$	46,4 mm	Maximum diameter of housing shoulder
$r_{a\max}$	1 mm	Maximum fillet radius