



FAG

★ 3206-BD-XL-2HRS

Angular contact ball bearing

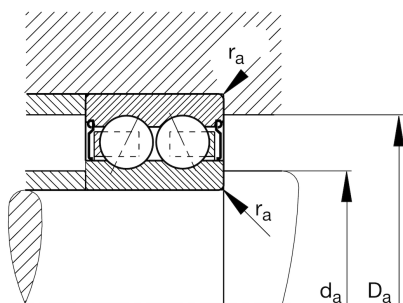
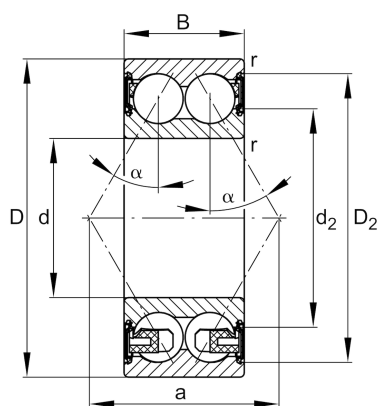
Schaeffler ID:
0822147940000

★ Preferred product

Angular contact ball bearing 32..-BD-XL-2HRS, double row, X-life, seals, steel sheet metal cage

X-life

Technical information



Temperature range

T_{\min}	-20 °C	Operating temperature min.
T_{\max}	110 °C	Operating temperature max.
	0,3 kg	Weight

Main Dimensions & Performance Data

d	30 mm	Bore diameter
D	62 mm	Outside diameter
B	23,8 mm	Width
C_r	31.000 N	Basic dynamic load rating, radial
C_{0r}	22.200 N	Basic static load rating, radial
C_{ur}	1.540 N	Fatigue load limit, radial
n_G	9.000 1/min	Limiting speed

Dimensions

r_{\min}	1 mm	Minimum chamfer dimension
D_2	55,8 mm	Caliber diameter outer ring
d_2	40,3 mm	Caliber diameter inner ring
a	36,4 mm	Distance between the apexes of the pressure cones
α	30 °	Contact angle

Mounting dimensions

$d_{a \min}$	35,6 mm	Minimum diameter shaft shoulder
$D_{a \max}$	56,4 mm	Maximum diameter of housing shoulder
$r_{a \max}$	1 mm	Maximum fillet radius