

FAG

★ 3209-BD-XL-2Z-TVH

Angular contact ball bearing

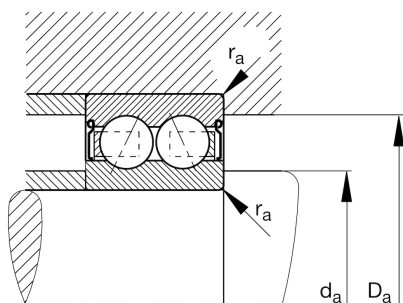
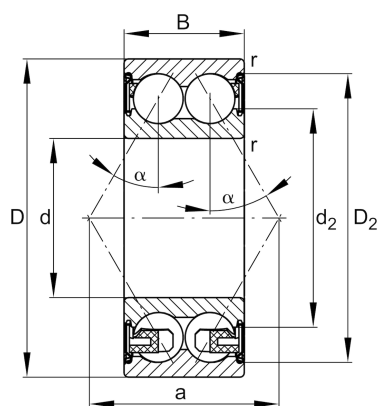
Schaeffler ID:
0627702680000

★ Preferred product

Angular contact ball bearing 32..-BD-XL-2Z-TVH, double row, X-life, shields, plastic cage

X-life

Technical information



Temperature range

| | | |
|------------|----------|----------------------------|
| T_{\min} | -20 °C | Operating temperature min. |
| T_{\max} | 120 °C | Operating temperature max. |
| | 0,622 kg | Weight |

Main Dimensions & Performance Data

| | | |
|----------|-------------|-----------------------------------|
| d | 45 mm | Bore diameter |
| D | 85 mm | Outside diameter |
| B | 30,2 mm | Width |
| C_r | 50.000 N | Basic dynamic load rating, radial |
| C_{0r} | 39.000 N | Basic static load rating, radial |
| C_{ur} | 2.700 N | Fatigue load limit, radial |
| n_G | 6.300 1/min | Limiting speed |
| n_{gr} | 8.400 1/min | Reference speed |

Dimensions

| | | |
|------------|---------|---|
| r_{\min} | 1,1 mm | Minimum chamfer dimension |
| D_2 | 78,1 mm | Caliber diameter outer ring |
| d_2 | 57,7 mm | Caliber diameter inner ring |
| a | 50,3 mm | Distance between the apexes of the pressure cones |
| α | 30 ° | Contact angle |

Mounting dimensions

| | | |
|--------------|-------|--------------------------------------|
| $d_{a \min}$ | 52 mm | Minimum diameter shaft shoulder |
| $D_{a \max}$ | 78 mm | Maximum diameter of housing shoulder |
| $r_{a \max}$ | 1 mm | Maximum fillet radius |