



FAG

★ 3211-BD-XL-2Z-TVH

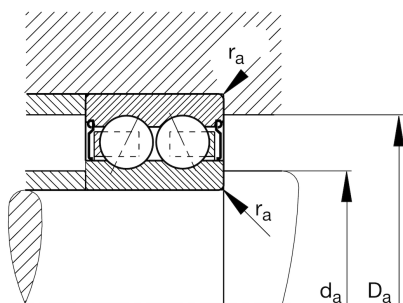
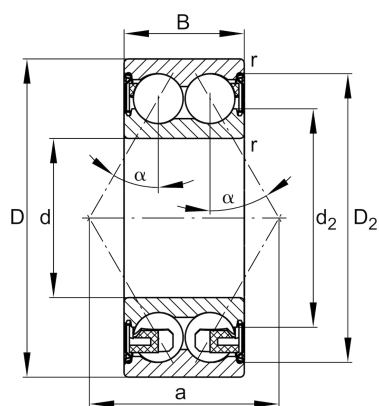
Angular contact ball bearing

Schaeffler ID:
0630895720000Angular contact ball bearing 32..-BD-
XL-2Z-TVH, double row, X-life, shields,
plastic cage

★ Preferred product

X-life

Technical information



Temperature range

T_{\min}	-20 °C	Operating temperature min.
T_{\max}	120 °C	Operating temperature max.
	0,95 kg	Weight

Main Dimensions & Performance Data

d	55 mm	Bore diameter
D	100 mm	Outside diameter
B	33,3 mm	Width
C_r	61.000 N	Basic dynamic load rating, radial
C_{0r}	51.000 N	Basic static load rating, radial
C_{ur}	3.550 N	Fatigue load limit, radial
n_G	5.300 1/min	Limiting speed
n_{gr}	7.200 1/min	Reference speed

Dimensions

r_{\min}	1,5 mm	Minimum chamfer dimension
D_2	90,8 mm	Caliber diameter outer ring
d_2	69,2 mm	Caliber diameter inner ring
a	58,4 mm	Distance between the apexes of the pressure cones
α	30 °	Contact angle

Mounting dimensions

$d_{a \min}$	64 mm	Minimum diameter shaft shoulder
$D_{a \max}$	91 mm	Maximum diameter of housing shoulder
$r_{a \max}$	1,5 mm	Maximum fillet radius