

FAG

## ★ 3212-BD-XL-2Z

Angular contact ball bearing

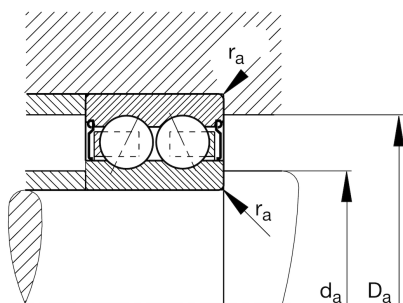
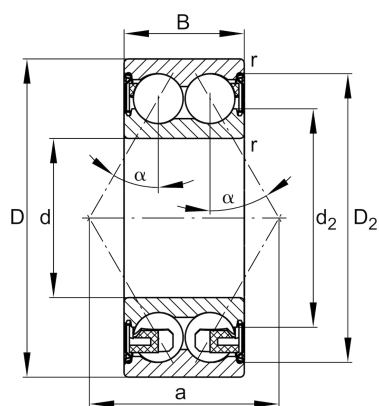
Schaeffler ID:  
0816650910000

★ Preferred product

Angular contact ball bearing 32..-BD-XL-2Z, double row, X-life, shields, steel sheet metal cage

X-life

## Technical information



## Temperature range

$T_{\min}$	-20 °C	Operating temperature min.
$T_{\max}$	150 °C	Operating temperature max.
	1,3 kg	Weight

## Main Dimensions &amp; Performance Data

d	60 mm	Bore diameter
D	110 mm	Outside diameter
B	36,5 mm	Width
$C_r$	75.000 N	Basic dynamic load rating, radial
$C_{0r}$	64.000 N	Basic static load rating, radial
$C_{ur}$	4.400 N	Fatigue load limit, radial
$n_G$	4.750 1/min	Limiting speed
$n_{gr}$	6.700 1/min	Reference speed

## Dimensions

$r_{\min}$	1,5 mm	Minimum chamfer dimension
$D_2$	100,5 mm	Caliber diameter outer ring
$d_2$	76,6 mm	Caliber diameter inner ring
a	64,7 mm	Distance between the apexes of the pressure cones
$\alpha$	30 °	Contact angle

## Mounting dimensions

$d_{a \min}$	69 mm	Minimum diameter shaft shoulder
$D_{a \max}$	101 mm	Maximum diameter of housing shoulder
$r_{a \max}$	1,5 mm	Maximum fillet radius