



FAG

## ★ 3213-BD-XL-2HRS

Angular contact ball bearing

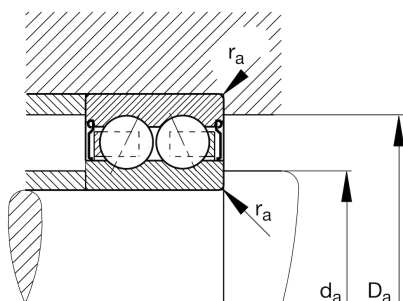
Schaeffler ID:  
0822782610000

★ Preferred product

Angular contact ball bearing 32..-BD-XL-2HRS, double row, X-life, seals, steel sheet metal cage

X-life

## Technical information



## Temperature range

$T_{\min}$	-20 °C	Operating temperature min.
$T_{\max}$	110 °C	Operating temperature max.
	1,643 kg	Weight

## Main Dimensions &amp; Performance Data

d	65 mm	Bore diameter
D	120 mm	Outside diameter
B	38,1 mm	Width
$C_r$	86.000 N	Basic dynamic load rating, radial
$C_{0r}$	77.000 N	Basic static load rating, radial
$C_{ur}$	5.300 N	Fatigue load limit, radial
$n_G$	4.300 1/min	Limiting speed

## Dimensions

$r_{\min}$	1,5 mm	Minimum chamfer dimension
$D_2$	110,1 mm	Caliber diameter outer ring
$d_2$	85,3 mm	Caliber diameter inner ring
a	70,6 mm	Distance between the apexes of the pressure cones
$\alpha$	30 °	Contact angle

## Mounting dimensions

$d_{a \min}$	74 mm	Minimum diameter shaft shoulder
$D_{a \max}$	111 mm	Maximum diameter of housing shoulder
$r_{a \max}$	1,5 mm	Maximum fillet radius