

FAG

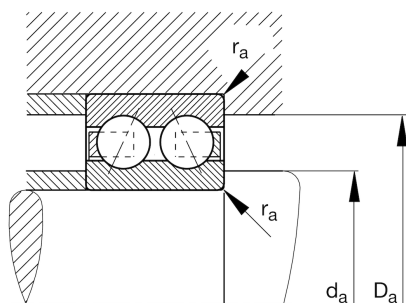
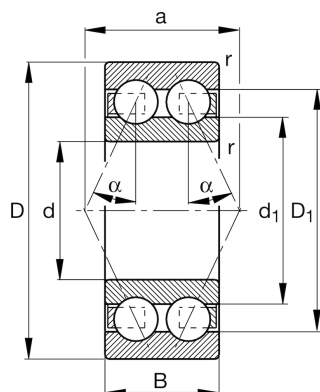
## ★ 3214-B-TVH

Angular contact ball bearing

Schaeffler ID:  
0167123900000Angular contact ball bearing 32..-B-TVH,  
double row, plastic cage

★ Preferred product

## Technical information



## Temperature range

$T_{\min}$	-20 °C	Operating temperature min.
$T_{\max}$	120 °C	Operating temperature max.
	1,73 kg	Weight

## Main Dimensions &amp; Performance Data

d	70 mm	Bore diameter
D	125 mm	Outside diameter
B	39,7 mm	Width
$C_r$	82.000 N	Basic dynamic load rating, radial
$C_{0r}$	79.000 N	Basic static load rating, radial
$C_{ur}$	4.100 N	Fatigue load limit, radial
$n_G$	5.600 1/min	Limiting speed
$n_{gr}$	5.600 1/min	Reference speed

## Dimensions

$r_{\min}$	1,5 mm	Minimum chamfer dimension
$D_1$	106,3 mm	Shoulder diameter outer ring
$d_1$	87 mm	Shoulder diameter inner ring
a	61,6 mm	Distance between the apexes of the pressure cones
$\alpha$	25 °	Contact angle

## Mounting dimensions

$d_{a \min}$	79 mm	Minimum diameter shaft shoulder
$D_{a \max}$	116 mm	Maximum diameter of housing shoulder
$r_{a \max}$	1,5 mm	Maximum fillet radius