

FAG

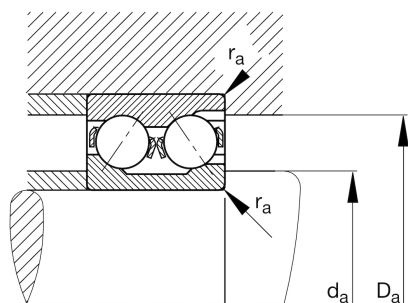
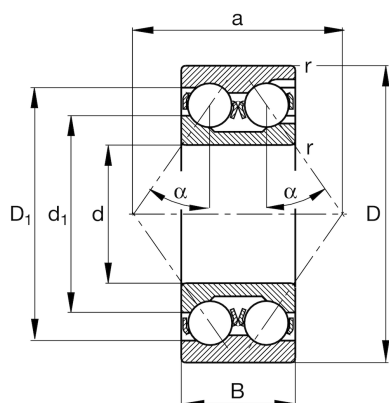
★ 3318-M

Angular contact ball bearing

Schaeffler ID:
0190023430000Angular contact ball bearing 33..-M, double
row, with filling slot, solid brass cage

★ Preferred product

Technical information



Temperature range

T_{\min}	-30 °C	Operating temperature min.
T_{\max}	150 °C	Operating temperature max.
	9,47 kg	Weight

Main Dimensions & Performance Data

d	90 mm	Bore diameter
D	190 mm	Outside diameter
B	73 mm	Width
C_r	245.000 N	Basic dynamic load rating, radial
C_{0r}	275.000 N	Basic static load rating, radial
C_{ur}	12.000 N	Fatigue load limit, radial
n_G	4.750 1/min	Limiting speed
n_{gr}	3.400 1/min	Reference speed

Dimensions

r_{\min}	3 mm	Minimum chamfer dimension
D_1	168,2 mm	Shoulder diameter outer ring
d_1	126,1 mm	Shoulder diameter inner ring
a	136,03 mm	Distance between the apexes of the pressure cones
α	35 °	Contact angle

Mounting dimensions

$d_{a \min}$	104 mm	Minimum diameter shaft shoulder
$D_{a \max}$	176 mm	Maximum diameter of housing shoulder
$r_{a \max}$	2,5 mm	Maximum fillet radius