

FAG

★ 3305-BD-XL

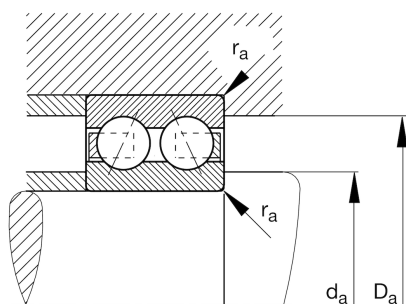
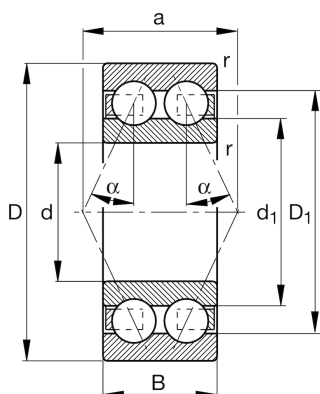
Angular contact ball bearing

Schaeffler ID:
0712352990000Angular contact ball bearing 33..-BD-XL,
double row, X-life, steel sheet metal cage

★ Preferred product

X-life

Technical information



Temperature range

T_{min}	-30 °C	Operating temperature min.
T_{max}	120 °C	Operating temperature max.
	0,354 kg	Weight

Main Dimensions & Performance Data

d	25 mm	Bore diameter
D	62 mm	Outside diameter
B	25,4 mm	Width
C_r	31.500 N	Basic dynamic load rating, radial
C_{0r}	21.000 N	Basic static load rating, radial
C_{ur}	1.460 N	Fatigue load limit, radial
n_G	12.400 1/min	Limiting speed
n_{gr}	9.400 1/min	Reference speed

Dimensions

r_{min}	1,1 mm	Minimum chamfer dimension
D_1	51,5 mm	Shoulder diameter outer ring
d_1	39,5 mm	Shoulder diameter inner ring
a	35,4 mm	Distance between the apexes of the pressure cones
α	30 °	Contact angle

Mounting dimensions

$d_{a min}$	32 mm	Minimum diameter shaft shoulder
$D_{a max}$	55 mm	Maximum diameter of housing shoulder
$r_{a max}$	1 mm	Maximum fillet radius