

FAG

★ 3306-BD-XL

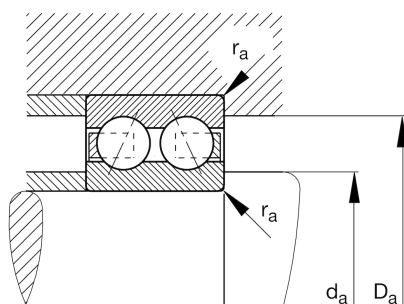
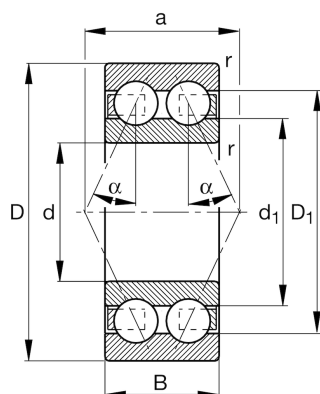
Angular contact ball bearing

Schaeffler ID:
0695030950000Angular contact ball bearing 33..-BD-XL,
double row, X-life, steel sheet metal cage

★ Preferred product

X-life

Technical information



Temperature range

| | | |
|-----------|---------|----------------------------|
| T_{min} | -30 °C | Operating temperature min. |
| T_{max} | 120 °C | Operating temperature max. |
| | 0,55 kg | Weight |

Main Dimensions & Performance Data

| | | |
|----------|--------------|-----------------------------------|
| d | 30 mm | Bore diameter |
| D | 72 mm | Outside diameter |
| B | 30,2 mm | Width |
| C_r | 43.000 N | Basic dynamic load rating, radial |
| C_{0r} | 29.500 N | Basic static load rating, radial |
| C_{ur} | 2.050 N | Fatigue load limit, radial |
| n_G | 10.400 1/min | Limiting speed |
| n_{gr} | 8.500 1/min | Reference speed |

Dimensions

| | | |
|-----------|----------|---|
| r_{min} | 1,1 mm | Minimum chamfer dimension |
| D_1 | 60,5 mm | Shoulder diameter outer ring |
| d_1 | 46,25 mm | Shoulder diameter inner ring |
| a | 41,9 mm | Distance between the apexes of the pressure cones |
| α | 30 ° | Contact angle |

Mounting dimensions

| | | |
|-------------|-------|--------------------------------------|
| $d_{a min}$ | 37 mm | Minimum diameter shaft shoulder |
| $D_{a max}$ | 65 mm | Maximum diameter of housing shoulder |
| $r_{a max}$ | 1 mm | Maximum fillet radius |