

FAG

## ★ 3307-BD-XL

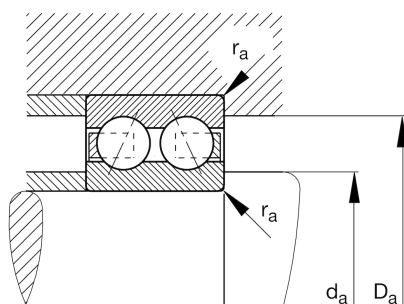
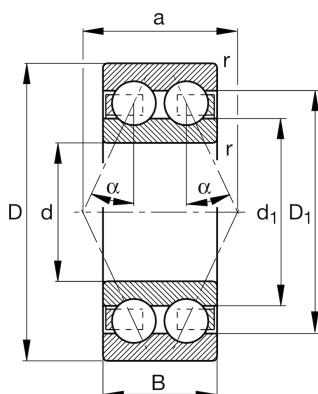
Angular contact ball bearing

Schaeffler ID:  
0712362870000Angular contact ball bearing 33..-BD-XL,  
double row, X-life, steel sheet metal cage

★ Preferred product

X-life

## Technical information



## Temperature range

$T_{\min}$	-30 °C	Operating temperature min.
$T_{\max}$	120 °C	Operating temperature max.
	0,72 kg	Weight

## Main Dimensions &amp; Performance Data

d	35 mm	Bore diameter
D	80 mm	Outside diameter
B	34,9 mm	Width
$C_r$	55.000 N	Basic dynamic load rating, radial
$C_{0r}$	36.500 N	Basic static load rating, radial
$C_{ur}$	2.550 N	Fatigue load limit, radial
$n_G$	9.000 1/min	Limiting speed
$n_{gr}$	8.100 1/min	Reference speed

## Dimensions

$r_{\min}$	1,5 mm	Minimum chamfer dimension
$D_1$	68,9 mm	Shoulder diameter outer ring
$d_1$	51,8 mm	Shoulder diameter inner ring
a	48 mm	Distance between the apexes of the pressure cones
$\alpha$	30 °	Contact angle

## Mounting dimensions

$d_{a\min}$	44 mm	Minimum diameter shaft shoulder
$D_{a\max}$	71 mm	Maximum diameter of housing shoulder
$r_{a\max}$	1,5 mm	Maximum fillet radius