

FAG

★ 3310-BD-XL

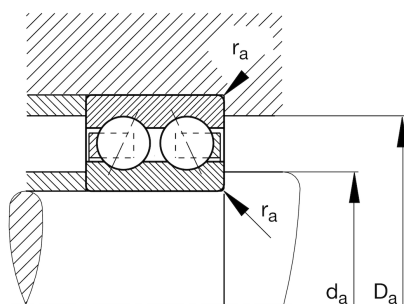
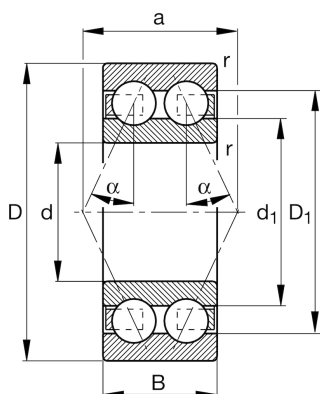
Angular contact ball bearing

Schaeffler ID:
0713246580000Angular contact ball bearing 33..-BD-XL,
double row, X-life, steel sheet metal cage

★ Preferred product

X-life

Technical information



Temperature range

T_{min}	-30 °C	Operating temperature min.
T_{max}	150 °C	Operating temperature max.
	1,79 kg	Weight

Main Dimensions & Performance Data

d	50 mm	Bore diameter
D	110 mm	Outside diameter
B	44,4 mm	Width
C_r	93.000 N	Basic dynamic load rating, radial
C_{0r}	70.000 N	Basic static load rating, radial
C_{ur}	4.850 N	Fatigue load limit, radial
n_G	6.500 1/min	Limiting speed
n_{gr}	6.300 1/min	Reference speed

Dimensions

r_{min}	2 mm	Minimum chamfer dimension
D_1	93,3 mm	Shoulder diameter outer ring
d_1	71,5 mm	Shoulder diameter inner ring
a	64,2 mm	Distance between the apexes of the pressure cones
α	30 °	Contact angle

Mounting dimensions

$d_{a min}$	61 mm	Minimum diameter shaft shoulder
$D_{a max}$	99 mm	Maximum diameter of housing shoulder
$r_{a max}$	2 mm	Maximum fillet radius