

FAG

## ★ 3311-BD-XL

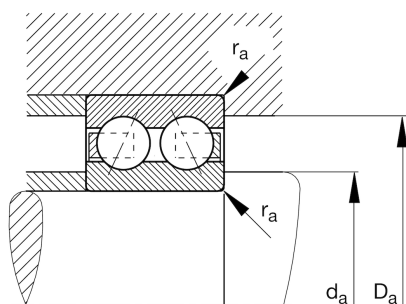
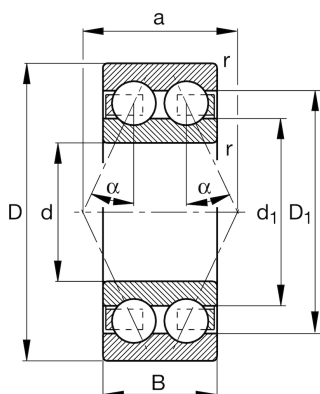
Angular contact ball bearing

Schaeffler ID:  
0713249760000Angular contact ball bearing 33..-BD-XL,  
double row, X-life, steel sheet metal cage

★ Preferred product

X-life

## Technical information



## Temperature range

$T_{\min}$	-30 °C	Operating temperature min.
$T_{\max}$	150 °C	Operating temperature max.
	2,31 kg	Weight

## Main Dimensions &amp; Performance Data

d	55 mm	Bore diameter
D	120 mm	Outside diameter
B	49,2 mm	Width
$C_r$	116.000 N	Basic dynamic load rating, radial
$C_{0r}$	88.000 N	Basic static load rating, radial
$C_{ur}$	6.100 N	Fatigue load limit, radial
$n_G$	5.800 1/min	Limiting speed
$n_{gr}$	5.900 1/min	Reference speed

## Dimensions

$r_{\min}$	2 mm	Minimum chamfer dimension
$D_1$	103,3 mm	Shoulder diameter outer ring
$d_1$	78,8 mm	Shoulder diameter inner ring
a	71,4 mm	Distance between the apexes of the pressure cones
$\alpha$	30 °	Contact angle

## Mounting dimensions

$d_{a\min}$	66 mm	Minimum diameter shaft shoulder
$D_{a\max}$	109 mm	Maximum diameter of housing shoulder
$r_{a\max}$	2 mm	Maximum fillet radius