



FAG

★ 3311-BD-XL-TVH

Angular contact ball bearing

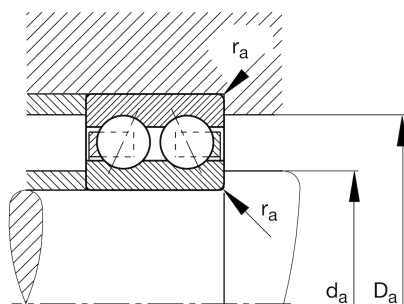
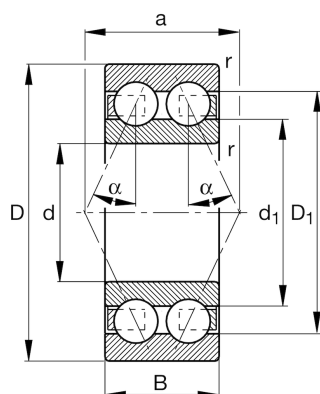
Schaeffler ID:
0616489300000

Angular contact ball bearing 33..-BD-XL-TVH, double row, X-life, plastic cage

★ Preferred product

X-life

Technical information



Temperature range

T_{\min}	-30 °C	Operating temperature min.
T_{\max}	120 °C	Operating temperature max.
	2,27 kg	Weight

Main Dimensions & Performance Data

d	55 mm	Bore diameter
D	120 mm	Outside diameter
B	49,2 mm	Width
C_r	116.000 N	Basic dynamic load rating, radial
C_{0r}	88.000 N	Basic static load rating, radial
C_{ur}	6.100 N	Fatigue load limit, radial
n_G	5.800 1/min	Limiting speed
n_{gr}	5.900 1/min	Reference speed

Dimensions

r_{\min}	2 mm	Minimum chamfer dimension
D_1	103,3 mm	Shoulder diameter outer ring
d_1	78,8 mm	Shoulder diameter inner ring
a	71,4 mm	Distance between the apexes of the pressure cones
α	30 °	Contact angle

Mounting dimensions

$d_{a \min}$	66 mm	Minimum diameter shaft shoulder
$D_{a \max}$	109 mm	Maximum diameter of housing shoulder
$r_{a \max}$	2 mm	Maximum fillet radius