

FAG

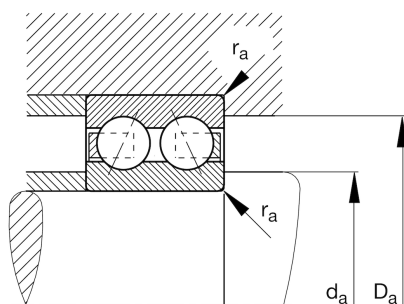
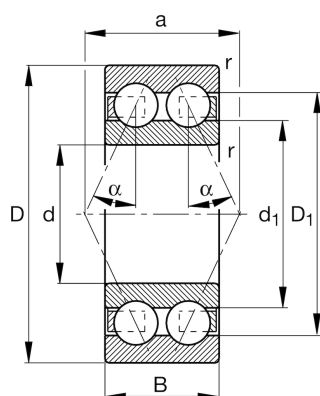
3316-BD-XL

Angular contact ball bearing

Schaeffler ID:
0862710400000Angular contact ball bearing 33..-BD-XL,
double row, X-life, steel sheet metal cage

X-life

Technical information

**Temperature range**

T_{\min}	-30 °C	Operating temperature min.
T_{\max}	150 °C	Operating temperature max.
	6,4 kg	Weight

Main Dimensions & Performance Data

d	80 mm	Bore diameter
D	170 mm	Outside diameter
B	68,3 mm	Width
C_r	199.000 N	Basic dynamic load rating, radial
C_{0r}	180.000 N	Basic static load rating, radial
C_{ur}	11.100 N	Fatigue load limit, radial
n_G	3.950 1/min	Limiting speed
n_{gr}	4.300 1/min	Reference speed

Dimensions

r_{\min}	2,1 mm	Minimum chamfer dimension
D_1	148 mm	Shoulder diameter outer ring
d_1	116,7 mm	Shoulder diameter inner ring
a	100,8 mm	Distance between the apexes of the pressure cones
α	30 °	Contact angle

Mounting dimensions

$d_{a\min}$	92 mm	Minimum diameter shaft shoulder
$D_{a\max}$	158 mm	Maximum diameter of housing shoulder
$r_{a\max}$	2,1 mm	Maximum fillet radius