

FAG

★ 3302-BD-XL-2HRS-TVH

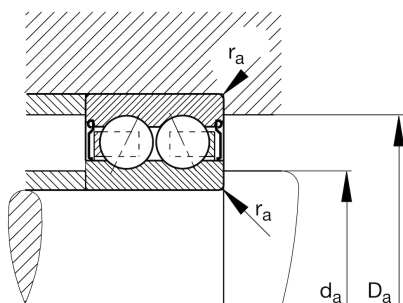
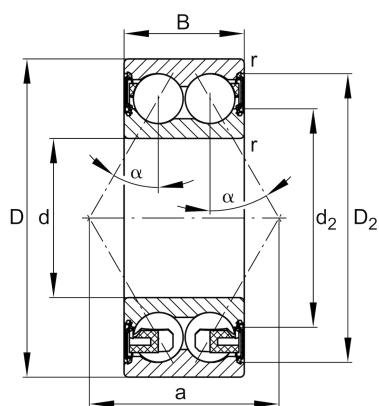
Angular contact ball bearing

Schaeffler ID:
0639632050000Angular contact ball bearing 33..-BD-
XL-2HRS-TVH, double row, X-life, seals,
plastic cage

★ Preferred product

X-life

Technical information



Temperature range

T_{\min}	-20 °C	Operating temperature min.
T_{\max}	110 °C	Operating temperature max.
	0,123 kg	Weight

Main Dimensions & Performance Data

d	15 mm	Bore diameter
D	42 mm	Outside diameter
B	19 mm	Width
C_r	17.000 N	Basic dynamic load rating, radial
C_{0r}	10.400 N	Basic static load rating, radial
C_{ur}	720 N	Fatigue load limit, radial
n_G	13.800 1/min	Limiting speed

Dimensions

r_{\min}	1 mm	Minimum chamfer dimension
D_2	37,9 mm	Caliber diameter outer ring
d_2	25,8 mm	Caliber diameter inner ring
a	24,8 mm	Distance between the apexes of the pressure cones
α	30 °	Contact angle

Mounting dimensions

$d_{a \min}$	20,6 mm	Minimum diameter shaft shoulder
$D_{a \max}$	36,4 mm	Maximum diameter of housing shoulder
$r_{a \max}$	1 mm	Maximum fillet radius