



FAG

★ 3307-BD-XL-2HRS-TVH

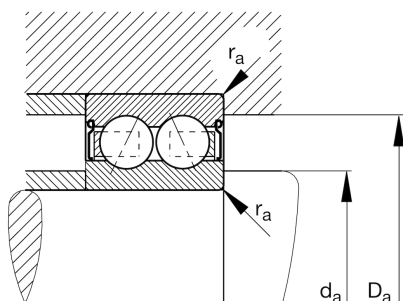
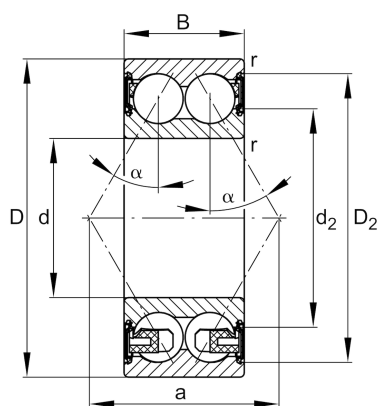
Angular contact ball bearing

Schaeffler ID:
0638742290000Angular contact ball bearing 33..-BD-
XL-2HRS-TVH, double row, X-life, seals,
plastic cage

★ Preferred product

X-life

Technical information



Temperature range

T_{\min}	-20 °C	Operating temperature min.
T_{\max}	110 °C	Operating temperature max.
	0,72 kg	Weight

Main Dimensions & Performance Data

d	35 mm	Bore diameter
D	80 mm	Outside diameter
B	34,9 mm	Width
C_r	55.000 N	Basic dynamic load rating, radial
C_{0r}	36.500 N	Basic static load rating, radial
C_{ur}	2.550 N	Fatigue load limit, radial
n_G	6.800 1/min	Limiting speed

Dimensions

r_{\min}	1,5 mm	Minimum chamfer dimension
D_2	71,9 mm	Caliber diameter outer ring
d_2	49,6 mm	Caliber diameter inner ring
a	48 mm	Distance between the apexes of the pressure cones
α	30 °	Contact angle

Mounting dimensions

$d_{a\min}$	44 mm	Minimum diameter shaft shoulder
$D_{a\max}$	71 mm	Maximum diameter of housing shoulder
$r_{a\max}$	1,5 mm	Maximum fillet radius