

FAG

★ 3309-BD-XL-2HRS

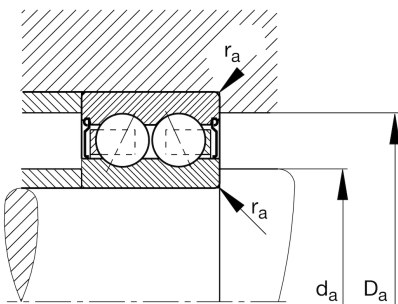
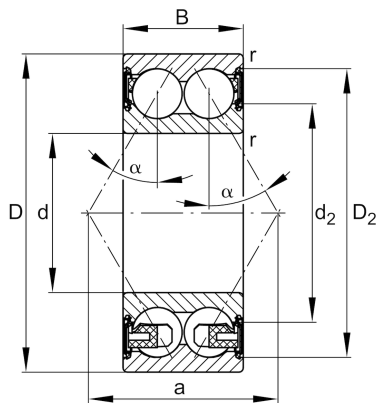
Angular contact ball bearing

Schaeffler ID:
0822617920000Angular contact ball bearing 33..-BD-
XL-2HRS, double row, X-life, seals, steel
sheet metal cage

★ Preferred product

X-life

Technical information



Temperature range

T_{\min}	-20 °C	Operating temperature min.
T_{\max}	110 °C	Operating temperature max.
	1,36 kg	Weight

Main Dimensions & Performance Data

d	45 mm	Bore diameter
D	100 mm	Outside diameter
B	39,7 mm	Width
C_r	72.000 N	Basic dynamic load rating, radial
C_{0r}	54.000 N	Basic static load rating, radial
C_{ur}	3.700 N	Fatigue load limit, radial
n_G	5.500 1/min	Limiting speed

Dimensions

r_{\min}	1,5 mm	Minimum chamfer dimension
D_2	87,3 mm	Caliber diameter outer ring
d_2	63,3 mm	Caliber diameter inner ring
a	57,8 mm	Distance between the apexes of the pressure cones
α	30 °	Contact angle

Mounting dimensions

$d_{a \min}$	54 mm	Minimum diameter shaft shoulder
$D_{a \max}$	91 mm	Maximum diameter of housing shoulder
$r_{a \max}$	1,5 mm	Maximum fillet radius