

FAG

★ 3304-BD-XL-2Z-TVH

Angular contact ball bearing

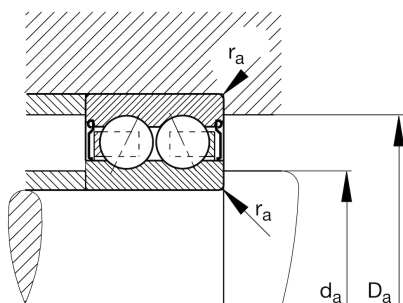
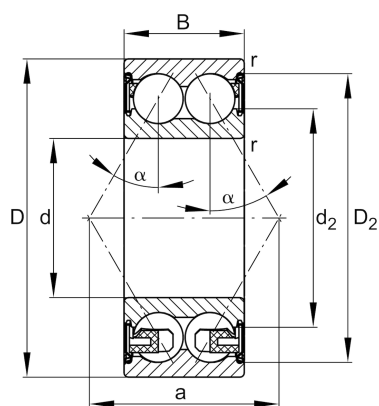
Schaeffler ID:
0641342530000

★ Preferred product

Angular contact ball bearing 33..-BD-XL-2Z-TVH, double row, X-life, shields, plastic cage

X-life

Technical information



Temperature range

T_{\min}	-20 °C	Operating temperature min.
T_{\max}	120 °C	Operating temperature max.
	0,217 kg	Weight

Main Dimensions & Performance Data

d	20 mm	Bore diameter
D	52 mm	Outside diameter
B	22,2 mm	Width
C_r	24.600 N	Basic dynamic load rating, radial
C_{0r}	15.900 N	Basic static load rating, radial
C_{ur}	1.100 N	Fatigue load limit, radial
n_G	11.000 1/min	Limiting speed
n_{gr}	10.400 1/min	Reference speed

Dimensions

r_{\min}	1,1 mm	Minimum chamfer dimension
D_2	46,1 mm	Caliber diameter outer ring
d_2	31,9 mm	Caliber diameter inner ring
a	30,4 mm	Distance between the apexes of the pressure cones
α	30 °	Contact angle

Mounting dimensions

$d_{a \min}$	27 mm	Minimum diameter shaft shoulder
$D_{a \max}$	45 mm	Maximum diameter of housing shoulder
$r_{a \max}$	1 mm	Maximum fillet radius