



FAG

## ★ 3309-BD-XL-2Z-TVH

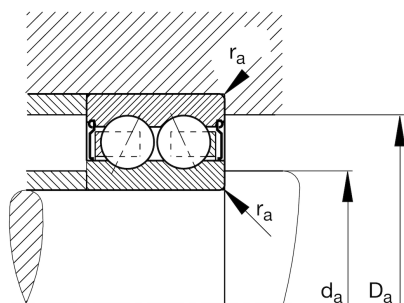
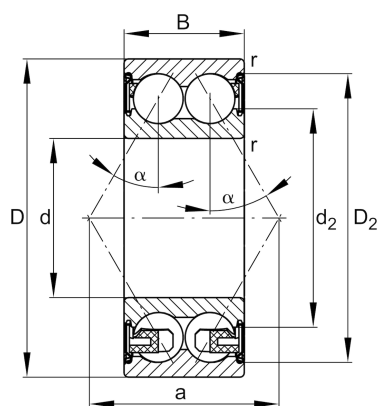
Angular contact ball bearing

Schaeffler ID:  
0631295230000Angular contact ball bearing 33..-BD-  
XL-2Z-TVH, double row, X-life, shields,  
plastic cage

★ Preferred product

X-life

## Technical information



## Temperature range

$T_{\min}$	-20 °C	Operating temperature min.
$T_{\max}$	120 °C	Operating temperature max.
	1,33 kg	Weight

## Main Dimensions &amp; Performance Data

d	45 mm	Bore diameter
D	100 mm	Outside diameter
B	39,7 mm	Width
$C_r$	72.000 N	Basic dynamic load rating, radial
$C_{0r}$	54.000 N	Basic static load rating, radial
$C_{ur}$	3.700 N	Fatigue load limit, radial
$n_G$	5.500 1/min	Limiting speed
$n_{gr}$	6.700 1/min	Reference speed

## Dimensions

$r_{\min}$	1,5 mm	Minimum chamfer dimension
$D_2$	87,3 mm	Caliber diameter outer ring
$d_2$	63,3 mm	Caliber diameter inner ring
a	57,8 mm	Distance between the apexes of the pressure cones
$\alpha$	30 °	Contact angle

## Mounting dimensions

$d_{a \min}$	54 mm	Minimum diameter shaft shoulder
$D_{a \max}$	91 mm	Maximum diameter of housing shoulder
$r_{a \max}$	1,5 mm	Maximum fillet radius