

FAG

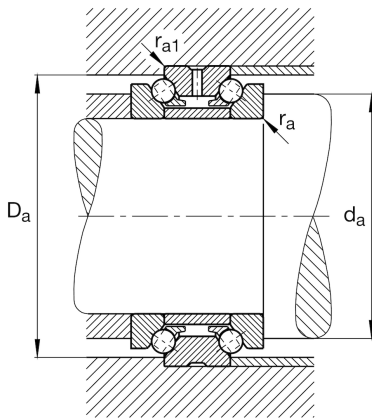
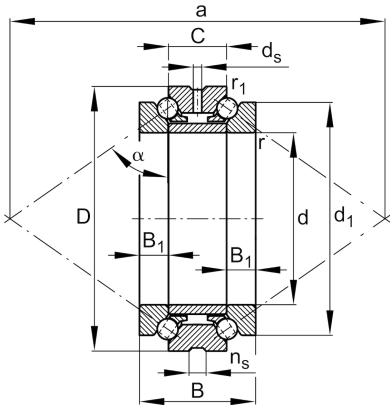
★ 234408-M-SP

Axial angular contact ball bearing

Schaeffler ID:
0190387630000Axial angular contact ball bearings 2344,
double direction, separable, restricted
tolerances

★ Preferred product

Technical information



Temperature range

| | | |
|-----------|----------|----------------------------|
| T_{min} | -30 °C | Operating temperature min. |
| T_{max} | 150 °C | Operating temperature max. |
| | 0,464 kg | Weight |

Main Dimensions & Performance Data

| | | |
|----------------|--------------|---------------------------------------|
| d | 40 mm | Bore diameter |
| D | 68 mm | Outside diameter |
| B | 36 mm | Width |
| C | 18 mm | Width, outer ring |
| C_a | 22.800 N | Basic dynamic load rating, axial |
| C_{0a} | 58.000 N | Basic static load rating, axial |
| C_{ua} | 5.400 N | Fatigue load limit, axial |
| $n_{G Grease}$ | 8.500 1/min | Limiting speed for grease lubrication |
| $n_{G Oil}$ | 12.000 1/min | Limiting speed for oil lubrication |

Dimensions

| | | |
|-------------|---------|-----------------------------|
| d_1 | 58,5 mm | Rip diameter shaft washer |
| B_1 | 9 mm | Height wave disc |
| r_{min} | 1 mm | Minimum chamfer dimension |
| $r_{1 min}$ | 0,15 mm | Minimum chamfer dimension |
| d_s | 3,2 mm | Diameter lubrication hole |
| n_s | 4,8 mm | Width of lubricating groove |

Mounting dimensions

| | | |
|---------------|----------|---|
| d_a | 51,5 mm | Diameter shaft shoulder |
| d_a | h12 | Diameter shaft shoulder clearance |
| D_a | 63,5 mm | Shoulder diameter outer ring |
| D_a | H12 | Shoulder diameter outer ring clearance |
| $r_{a\ max}$ | 1 mm | Maximum recess radius |
| $r_{a1\ max}$ | 0,15 mm | Maximum recess radius |
| α | 60 ° | Contact angle |
| a | 113,5 mm | Distance between the apexes of the pressure cones |

Additional information

| | | |
|----------|----------------|----------------|
| c_a | 355 N/ μ m | Axial rigidity |
| K_{aE} | 456 N | Lift-off force |
| F_v | 160 N | Preload force |