

FAG

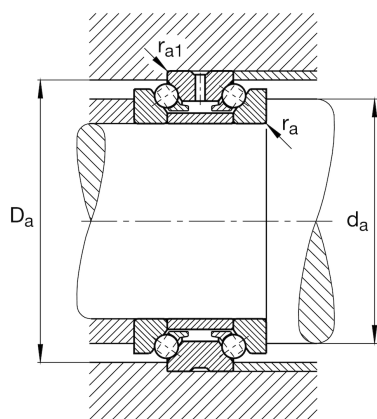
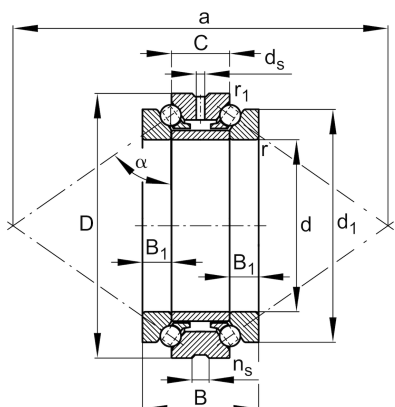
## ★ 234411-M-SP

Axial angular contact ball bearing

Schaeffler ID:  
0190388010000Axial angular contact ball bearings 2344,  
double direction, separable, restricted  
tolerances

★ Preferred product

## Technical information



## Temperature range

$T_{\min}$	-30 °C	Operating temperature min.
------------	--------	----------------------------

$T_{\max}$	150 °C	Operating temperature max.
------------	--------	----------------------------

	0,946 kg	Weight
--	----------	--------

## Main Dimensions &amp; Performance Data

d	55 mm	Bore diameter
D	90 mm	Outside diameter
B	44 mm	Width
C	22 mm	Width, outer ring
$C_a$	37.500 N	Basic dynamic load rating, axial
$C_{0a}$	102.000 N	Basic static load rating, axial
$C_{ua}$	9.500 N	Fatigue load limit, axial
$n_{G \text{ Grease}}$	6.300 1/min	Limiting speed for grease lubrication
$n_{G \text{ Oil}}$	8.500 1/min	Limiting speed for oil lubrication

## Dimensions

$d_1$	78 mm	Rip diameter shaft washer
$B_1$	11 mm	Height wave disc
$r_{\min}$	1,1 mm	Minimum chamfer dimension
$r_{1 \min}$	0,3 mm	Minimum chamfer dimension
$d_s$	3,2 mm	Diameter lubrication hole
$n_s$	6,5 mm	Width of lubricating groove

**Mounting dimensions**

$d_a$	69 mm	Diameter shaft shoulder
$d_a$	h12	Diameter shaft shoulder clearance
$D_a$	84,5 mm	Shoulder diameter outer ring
$D_a$	H12	Shoulder diameter outer ring clearance
$r_{a\ max}$	1,1 mm	Maximum recess radius
$r_{a1\ max}$	0,3 mm	Maximum recess radius
$\alpha$	60 °	Contact angle
$a$	150 mm	Distance between the apexes of the pressure cones

**Additional information**

$c_a$	458 N/ $\mu$ m	Axial rigidity
$K_{aE}$	743 N	Lift-off force
$F_v$	260 N	Preload force