

FAG

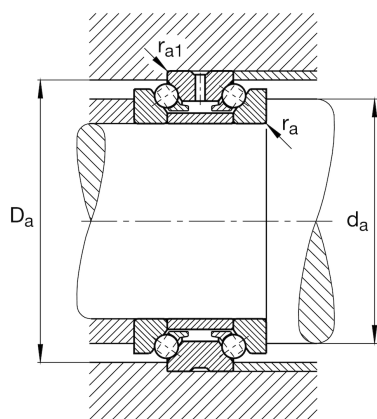
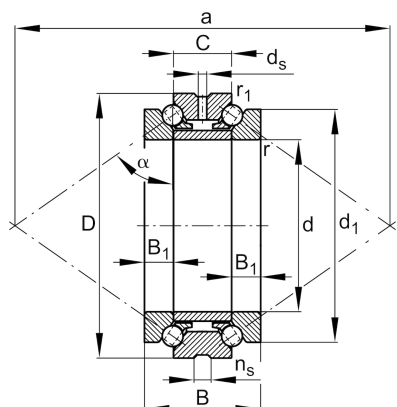
★ 234416-M-SP

Axial angular contact ball bearing

Schaeffler ID:
0190388600000Axial angular contact ball bearings 2344,
double direction, separable, restricted
tolerances

★ Preferred product

Technical information



Temperature range

T_{min}	-30 °C	Operating temperature min.
T_{max}	150 °C	Operating temperature max.
	2,155 kg	Weight

Main Dimensions & Performance Data

d	80 mm	Bore diameter
D	125 mm	Outside diameter
B	54 mm	Width
C	27 mm	Width, outer ring
C_a	57.000 N	Basic dynamic load rating, axial
C_{0a}	173.000 N	Basic static load rating, axial
C_{ua}	15.700 N	Fatigue load limit, axial
$n_{G Grease}$	4.500 1/min	Limiting speed for grease lubrication
$n_{G Oil}$	6.000 1/min	Limiting speed for oil lubrication

Dimensions

d_1	110 mm	Rip diameter shaft washer
B_1	13,5 mm	Height wave disc
r_{min}	1,1 mm	Minimum chamfer dimension
$r_{1 min}$	0,3 mm	Minimum chamfer dimension
d_s	3,2 mm	Diameter lubrication hole
n_s	6,5 mm	Width of lubricating groove

Mounting dimensions

d_a	98,5 mm	Diameter shaft shoulder
d_a	h12	Diameter shaft shoulder clearance
D_a	117 mm	Shoulder diameter outer ring
D_a	H12	Shoulder diameter outer ring clearance
$r_{a\ max}$	1,1 mm	Maximum recess radius
$r_{a1\ max}$	0,3 mm	Maximum recess radius
α	60 °	Contact angle
a	207 mm	Distance between the apexes of the pressure cones

Additional information

c_a	640 N/ μ m	Axial rigidity
K_{aE}	1.140 N	Lift-off force
F_v	400 N	Preload force