

FAG

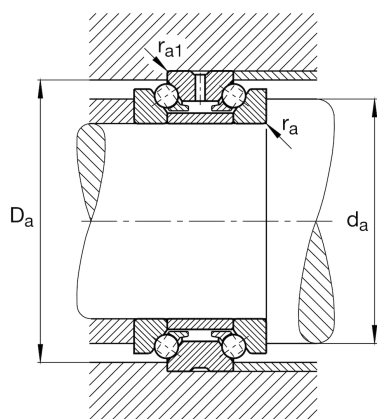
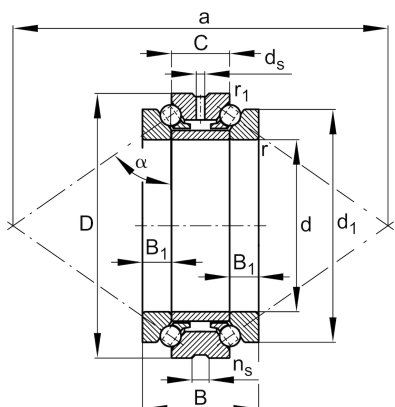
★ 234426-M-SP

Axial angular contact ball bearing

Schaeffler ID:
0190389680000Axial angular contact ball bearings 2344,
double direction, separable, restricted
tolerances

★ Preferred product

Technical information



Temperature range

T_{\min}	-30 °C	Operating temperature min.
T_{\max}	150 °C	Operating temperature max.
	8,28 kg	Weight

Main Dimensions & Performance Data

d	130 mm	Bore diameter
D	200 mm	Outside diameter
B	84 mm	Width
C	42 mm	Width, outer ring
C_a	128.000 N	Basic dynamic load rating, axial
C_{0a}	440.000 N	Basic static load rating, axial
C_{ua}	31.500 N	Fatigue load limit, axial
$n_{G \text{ Grease}}$	2.800 1/min	Limiting speed for grease lubrication
$n_{G \text{ Oil}}$	3.800 1/min	Limiting speed for oil lubrication

Dimensions

d_1	177 mm	Rip diameter shaft washer
B_1	21 mm	Height wave disc
r_{\min}	2 mm	Minimum chamfer dimension
$r_{1 \min}$	0,6 mm	Minimum chamfer dimension
d_s	6,3 mm	Diameter lubrication hole
n_s	12,2 mm	Width of lubricating groove

Mounting dimensions

d_a	159 mm	Diameter shaft shoulder
d_a	h12	Diameter shaft shoulder clearance
D_a	188 mm	Shoulder diameter outer ring
D_a	H12	Shoulder diameter outer ring clearance
$r_{a\ max}$	2 mm	Maximum recess radius
$r_{a1\ max}$	0,6 mm	Maximum recess radius
α	60 °	Contact angle
a	333 mm	Distance between the apexes of the pressure cones

Additional information

c_a	978 N/ μ m	Axial rigidity
K_{aE}	2.570 N	Lift-off force
F_v	900 N	Preload force