

FAG

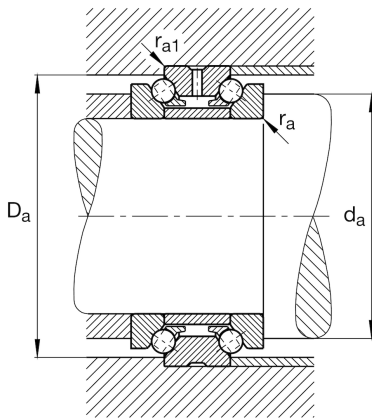
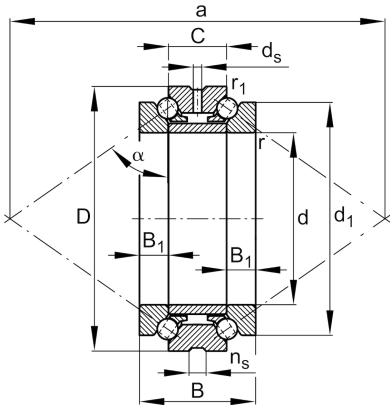
## ★ 234430-M-SP

Axial angular contact ball bearing

Schaeffler ID:  
0190389920000Axial angular contact ball bearings 2344,  
double direction, separable, restricted  
tolerances

★ Preferred product

## Technical information



## Temperature range

$T_{min}$	-30 °C	Operating temperature min.
$T_{max}$	150 °C	Operating temperature max.
	10,81 kg	Weight

## Main Dimensions &amp; Performance Data

d	150 mm	Bore diameter
D	225 mm	Outside diameter
B	90 mm	Width
C	45 mm	Width, outer ring
$C_a$	143.000 N	Basic dynamic load rating, axial
$C_{0a}$	510.000 N	Basic static load rating, axial
$C_{ua}$	34.500 N	Fatigue load limit, axial
$n_{G Grease}$	2.600 1/min	Limiting speed for grease lubrication
$n_{G Oil}$	3.600 1/min	Limiting speed for oil lubrication

## Dimensions

$d_1$	200 mm	Rip diameter shaft washer
$B_1$	22,5 mm	Height wave disc
$r_{min}$	2,1 mm	Minimum chamfer dimension
$r_{1 min}$	0,6 mm	Minimum chamfer dimension
$d_s$	8 mm	Diameter lubrication hole
$n_s$	15 mm	Width of lubricating groove

**Mounting dimensions**

$d_a$	181 mm	Diameter shaft shoulder
$d_a$	h12	Diameter shaft shoulder clearance
$D_a$	211,5 mm	Shoulder diameter outer ring
$D_a$	H12	Shoulder diameter outer ring clearance
$r_{a \max}$	2,1 mm	Maximum recess radius
$r_{a1 \max}$	0,6 mm	Maximum recess radius
$\alpha$	60 °	Contact angle
$a$	375 mm	Distance between the apexes of the pressure cones

**Additional information**

$c_a$	1.183 N/ $\mu\text{m}$	Axial rigidity
$K_{aE}$	3.764 N	Lift-off force
$F_v$	1.320 N	Preload force