

FAG

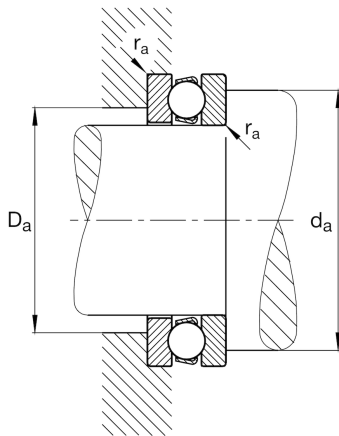
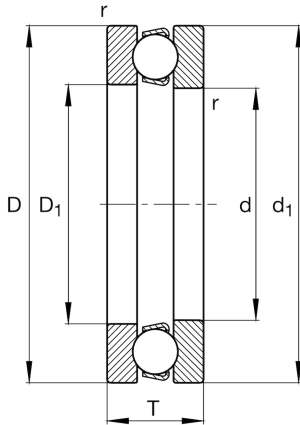
★ 51104

Axial deep groove ball bearing

Schaeffler ID:
0167146600000Axial deep groove ball bearing 511, single
direction, steel sheet metal cage

★ Preferred product

Technical information



Temperature range

T_{\min}	-30 °C	Operating temperature min.
T_{\max}	150 °C	Operating temperature max.
	40 g	Weight

Main Dimensions & Performance Data

d	20 mm	Bore diameter
D	35 mm	Outside diameter
T	10 mm	Height
C_a	15.000 N	Basic dynamic load rating, axial
C_{0a}	26.500 N	Basic static load rating, axial
C_{ua}	1.210 N	Fatigue load limit, axial
n_G	10.900 1/min	Limiting speed
n_{gr}	11.100 1/min	Reference speed

Dimensions

r_{\min}	0,3 mm	Minimum chamfer dimension
D_1	21 mm	Bore diameter housing washer
d_1	35 mm	Lip diameter shaft washer

Mounting dimensions

$d_{a \min}$	29 mm	Minimum diameter shaft shoulder
$D_{a \max}$	26 mm	Maximum diameter of housing shoulder
$r_{a \max}$	0,3 mm	Maximum recess radius

Additional information

A	0,004	Minimum load factor
---	-------	---------------------