

FAG

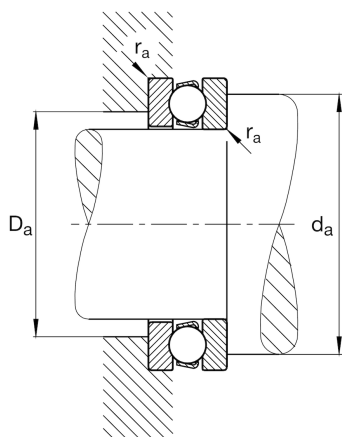
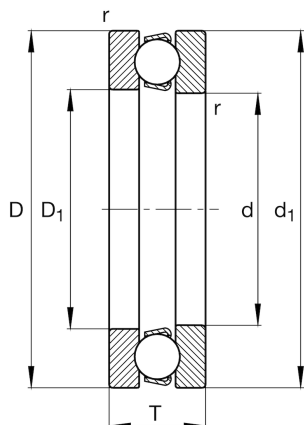
★ 51107

Axial deep groove ball bearing

Schaeffler ID:
0167146950000Axial deep groove ball bearing 511, single
direction, steel sheet metal cage

★ Preferred product

Technical information



Temperature range

| | | |
|------------|--------|----------------------------|
| T_{\min} | -30 °C | Operating temperature min. |
| T_{\max} | 150 °C | Operating temperature max. |
| | 89 g | Weight |

Main Dimensions & Performance Data

| | | |
|----------|-------------|----------------------------------|
| d | 35 mm | Bore diameter |
| D | 52 mm | Outside diameter |
| T | 12 mm | Height |
| C_a | 20.000 N | Basic dynamic load rating, axial |
| C_{0a} | 46.500 N | Basic static load rating, axial |
| C_{ua} | 2.120 N | Fatigue load limit, axial |
| n_G | 8.800 1/min | Limiting speed |
| n_{gr} | 6.800 1/min | Reference speed |

Dimensions

| | | |
|------------|--------|------------------------------|
| r_{\min} | 0,6 mm | Minimum chamfer dimension |
| D_1 | 37 mm | Bore diameter housing washer |
| d_1 | 52 mm | Lip diameter shaft washer |

Mounting dimensions

| | | |
|--------------|--------|--------------------------------------|
| $d_{a \min}$ | 45 mm | Minimum diameter shaft shoulder |
| $D_{a \max}$ | 42 mm | Maximum diameter of housing shoulder |
| $r_{a \max}$ | 0,6 mm | Maximum recess radius |

Additional information

| | | |
|---|-------|---------------------|
| A | 0,011 | Minimum load factor |
|---|-------|---------------------|