

FAG

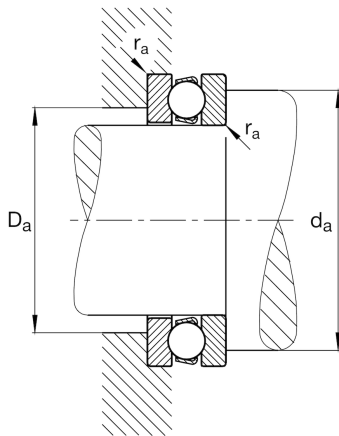
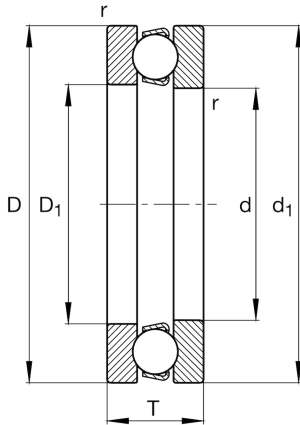
★ 51112

Axial deep groove ball bearing

Schaeffler ID:
0167147410000Axial deep groove ball bearing 511, single
direction, steel sheet metal cage

★ Preferred product

Technical information



Temperature range

T_{min}	-30 °C	Operating temperature min.
T_{max}	150 °C	Operating temperature max.
	0,003 kg	Weight

Main Dimensions & Performance Data

d	60 mm	Bore diameter
D	85 mm	Outside diameter
T	17 mm	Height
C_a	41.500 N	Basic dynamic load rating, axial
C_{0a}	113.000 N	Basic static load rating, axial
C_{ua}	5.200 N	Fatigue load limit, axial
n_G	5.500 1/min	Limiting speed
n_{gr}	4.650 1/min	Reference speed

Dimensions

r_{min}	1 mm	Minimum chamfer dimension
D_1	62 mm	Bore diameter housing washer
d_1	85 mm	Lip diameter shaft washer

Mounting dimensions

$d_{a min}$	75 mm	Minimum diameter shaft shoulder
$D_{a max}$	70 mm	Maximum diameter of housing shoulder
$r_{a max}$	1 mm	Maximum recess radius

Additional information

A	0,065	Minimum load factor
---	-------	---------------------