

FAG

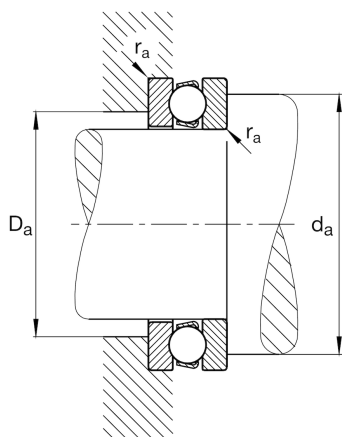
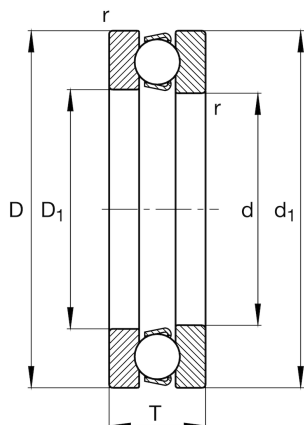
★ 51114

Axial deep groove ball bearing

Schaeffler ID:
0167147760000Axial deep groove ball bearing 511, single
direction, steel sheet metal cage

★ Preferred product

Technical information



Temperature range

T_{\min}	-30 °C	Operating temperature min.
T_{\max}	150 °C	Operating temperature max.
	0,347 kg	Weight

Main Dimensions & Performance Data

d	70 mm	Bore diameter
D	95 mm	Outside diameter
T	18 mm	Height
C_a	40.000 N	Basic dynamic load rating, axial
C_{0a}	110.000 N	Basic static load rating, axial
C_{ua}	5.000 N	Fatigue load limit, axial
n_G	5.100 1/min	Limiting speed
n_{gr}	4.100 1/min	Reference speed

Dimensions

r_{\min}	1 mm	Minimum chamfer dimension
D_1	72 mm	Bore diameter housing washer
d_1	95 mm	Lip diameter shaft washer

Mounting dimensions

$d_{a \min}$	85 mm	Minimum diameter shaft shoulder
$D_{a \max}$	80 mm	Maximum diameter of housing shoulder
$r_{a \max}$	1 mm	Maximum recess radius

Additional information

A	0,074	Minimum load factor
---	-------	---------------------