

FAG

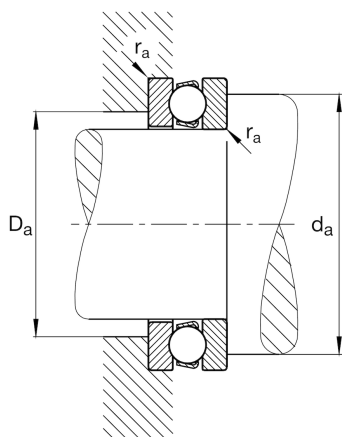
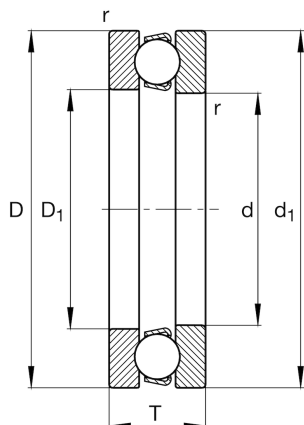
★ 51116

Axial deep groove ball bearing

Schaeffler ID:
0167147920000Axial deep groove ball bearing 511, single
direction, steel sheet metal cage

★ Preferred product

Technical information



Temperature range

T_{\min}	-30 °C	Operating temperature min.
T_{\max}	150 °C	Operating temperature max.
	0,422 kg	Weight

Main Dimensions & Performance Data

d	80 mm	Bore diameter
D	105 mm	Outside diameter
T	19 mm	Height
C_a	45.000 N	Basic dynamic load rating, axial
C_{0a}	129.000 N	Basic static load rating, axial
C_{ua}	5.900 N	Fatigue load limit, axial
n_G	4.650 1/min	Limiting speed
n_{gr}	3.600 1/min	Reference speed

Dimensions

r_{\min}	1 mm	Minimum chamfer dimension
D_1	82 mm	Bore diameter housing washer
d_1	105 mm	Lip diameter shaft washer

Mounting dimensions

$d_{a\min}$	95 mm	Minimum diameter shaft shoulder
$D_{a\max}$	90 mm	Maximum diameter of housing shoulder
$r_{a\max}$	1 mm	Maximum recess radius

Additional information

A	0,1	Minimum load factor
---	-----	---------------------