

FAG

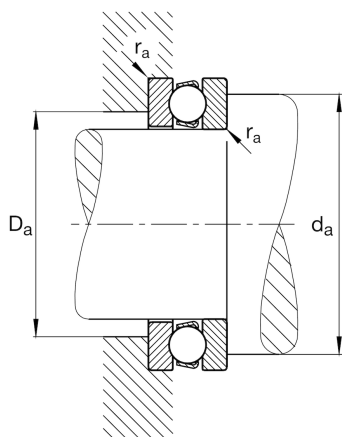
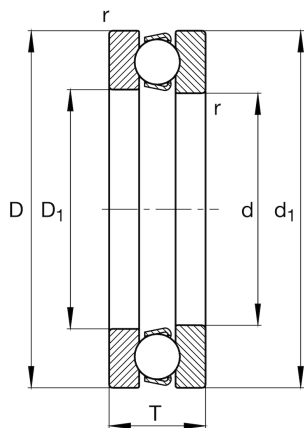
★ 51130-MP

Axial deep groove ball bearing

Schaeffler ID:
0190611370000Axial deep groove ball bearing 511...-MP,
single direction, solid brass cage

★ Preferred product

Technical information



Temperature range

T_{\min}	-30 °C	Operating temperature min.
T_{\max}	150 °C	Operating temperature max.
	2,12 kg	Weight

Main Dimensions & Performance Data

d	150 mm	Bore diameter
D	190 mm	Outside diameter
T	31 mm	Height
C_a	109.000 N	Basic dynamic load rating, axial
C_{0a}	400.000 N	Basic static load rating, axial
C_{ua}	14.200 N	Fatigue load limit, axial
n_G	2.650 1/min	Limiting speed
n_{gr}	2.200 1/min	Reference speed

Dimensions

r_{\min}	1 mm	Minimum chamfer dimension
D_1	152 mm	Bore diameter housing washer
d_1	188 mm	Lip diameter shaft washer

Mounting dimensions

$d_{a \min}$	174 mm	Minimum diameter shaft shoulder
$D_{a \max}$	166 mm	Maximum diameter of housing shoulder
$r_{a \max}$	1 mm	Maximum recess radius

Additional information

A	0,89	Minimum load factor
---	------	---------------------