

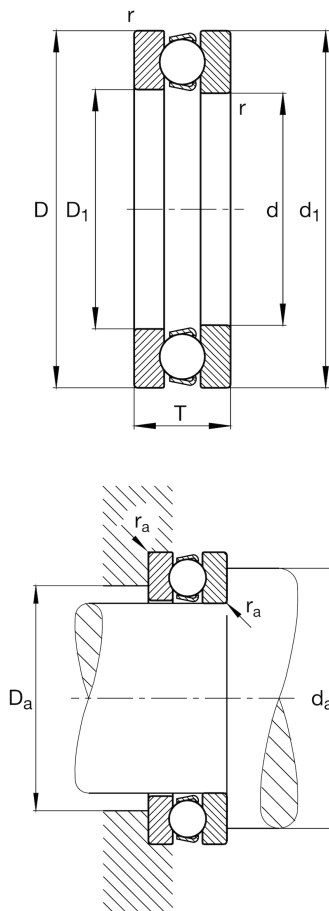
FAG★ **51134-MP**

Axial deep groove ball bearing

Schaeffler ID:
0190611960000Axial deep groove ball bearing 511...-MP,
single direction, solid brass cage

★ Preferred product

Technical information

**Temperature range**

T_{min}	-30 °C	Operating temperature min.
T_{max}	150 °C	Operating temperature max.
	2,978 kg	Weight

Main Dimensions & Performance Data

d	170 mm	Bore diameter
D	215 mm	Outside diameter
T	34 mm	Height
C_a	127.000 N	Basic dynamic load rating, axial
C_{0a}	510.000 N	Basic static load rating, axial
C_{ua}	16.700 N	Fatigue load limit, axial
n_G	2.330 1/min	Limiting speed
n_{gr}	2.010 1/min	Reference speed

Dimensions

r_{min}	1,1 mm	Minimum chamfer dimension
D_1	172 mm	Bore diameter housing washer
d_1	213 mm	Lip diameter shaft washer

Mounting dimensions

$d_{a min}$	197 mm	Minimum diameter shaft shoulder
$D_{a max}$	188 mm	Maximum diameter of housing shoulder
$r_{a max}$	1 mm	Maximum recess radius

Additional information

A	1,4	Minimum load factor
---	-----	---------------------