

FAG

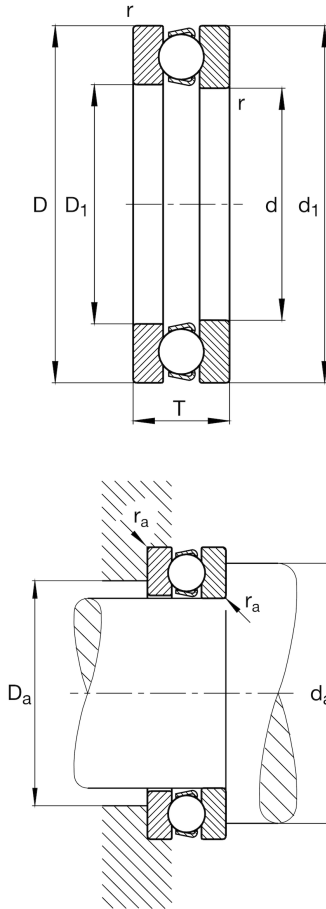
★ 51140-MP

Axial deep groove ball bearing

Schaeffler ID:
0190612850000Axial deep groove ball bearing 511...-MP,
single direction, solid brass cage

★ Preferred product

Technical information



Temperature range

T_{\min}	-30 °C	Operating temperature min.
T_{\max}	200 °C	Operating temperature max.
	4,26 kg	Weight

Main Dimensions & Performance Data

d	200 mm	Bore diameter
D	250 mm	Outside diameter
T	37 mm	Height
C_a	162.000 N	Basic dynamic load rating, axial
C_{0a}	670.000 N	Basic static load rating, axial
C_{ua}	20.400 N	Fatigue load limit, axial
n_G	1.980 1/min	Limiting speed
n_{gr}	1.760 1/min	Reference speed

Dimensions

r_{\min}	1,1 mm	Minimum chamfer dimension
D_1	203 mm	Bore diameter housing washer
d_1	247 mm	Lip diameter shaft washer

Mounting dimensions

$d_{a \min}$	230 mm	Minimum diameter shaft shoulder
$D_{a \max}$	220 mm	Maximum diameter of housing shoulder
$r_{a \max}$	1 mm	Maximum recess radius

Additional information

A	2,5	Minimum load factor
---	-----	---------------------