

FAG

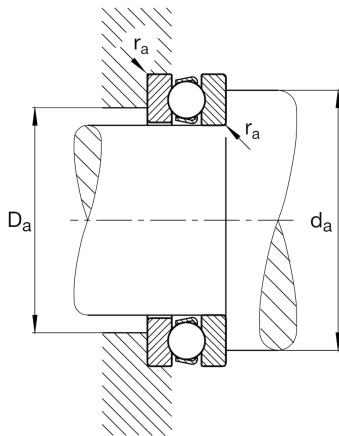
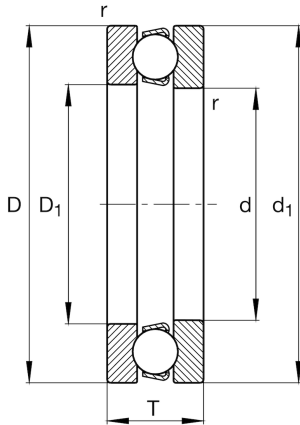
★ 51156-MP

Axial deep groove ball bearing

Schaeffler ID:
0190614980000Axial deep groove ball bearing 511...-MP,
single direction, solid brass cage

★ Preferred product

Technical information



Temperature range

T_{min}	-30 °C	Operating temperature min.
T_{max}	200 °C	Operating temperature max.
	11,877 kg	Weight

Main Dimensions & Performance Data

d	280 mm	Bore diameter
D	350 mm	Outside diameter
T	53 mm	Height
C_a	325.000 N	Basic dynamic load rating, axial
C_{0a}	1.390.000 N	Basic static load rating, axial
C_{ua}	36.000 N	Fatigue load limit, axial
n_G	1.380 1/min	Limiting speed
n_{gr}	1.270 1/min	Reference speed

Dimensions

r_{min}	1,5 mm	Minimum chamfer dimension
D_1	283 mm	Bore diameter housing washer
d_1	347 mm	Lip diameter shaft washer

Mounting dimensions

$d_{a min}$	322 mm	Minimum diameter shaft shoulder
$D_{a max}$	308 mm	Maximum diameter of housing shoulder
$r_{a max}$	1,5 mm	Maximum recess radius

Additional information

A	10	Minimum load factor
---	----	---------------------