

FAG

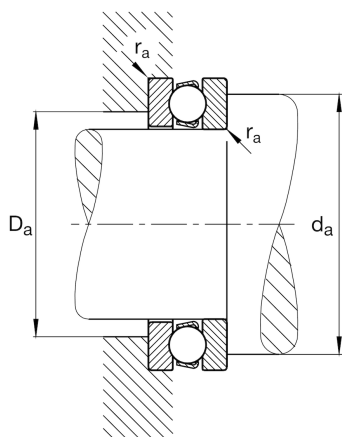
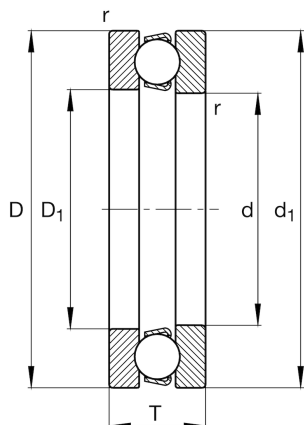
## ★ 51164-MP

Axial deep groove ball bearing

Schaeffler ID:  
0190615520000Axial deep groove ball bearing 511...-MP,  
single direction, solid brass cage

★ Preferred product

## Technical information



## Temperature range

$T_{\min}$	-30 °C	Operating temperature min.
$T_{\max}$	200 °C	Operating temperature max.
	23,2 kg	Weight

## Main Dimensions &amp; Performance Data

d	320 mm	Bore diameter
D	400 mm	Outside diameter
T	63 mm	Height
$C_a$	360.000 N	Basic dynamic load rating, axial
$C_{0a}$	1.750.000 N	Basic static load rating, axial
$C_{ua}$	42.000 N	Fatigue load limit, axial
$n_G$	1.200 1/min	Limiting speed
$n_{gr}$	1.090 1/min	Reference speed

## Dimensions

$r_{\min}$	2 mm	Minimum chamfer dimension
$D_1$	324 mm	Bore diameter housing washer
$d_1$	396 mm	Lip diameter shaft washer

## Mounting dimensions

$d_{a \min}$	368 mm	Minimum diameter shaft shoulder
$D_{a \max}$	352 mm	Maximum diameter of housing shoulder
$r_{a \max}$	2 mm	Maximum recess radius

## Additional information

A	16	Minimum load factor
---	----	---------------------