

FAG

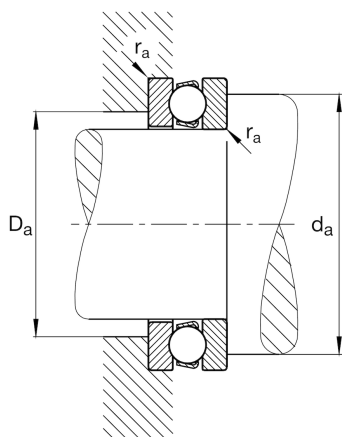
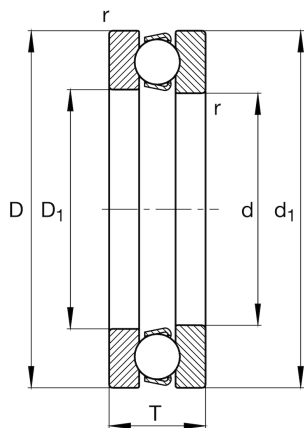
## ★ 51210

Axial deep groove ball bearing

Schaeffler ID:  
0167150800000Axial deep groove ball bearing 512, single  
direction, steel sheet metal cage

★ Preferred product

## Technical information



## Temperature range

$T_{\min}$	-30 °C	Operating temperature min.
$T_{\max}$	150 °C	Operating temperature max.
	0,004 kg	Weight

## Main Dimensions &amp; Performance Data

d	50 mm	Bore diameter
D	78 mm	Outside diameter
T	22 mm	Height
$C_a$	50.000 N	Basic dynamic load rating, axial
$C_{0a}$	106.000 N	Basic static load rating, axial
$C_{ua}$	4.850 N	Fatigue load limit, axial
$n_G$	4.950 1/min	Limiting speed
$n_{gr}$	5.700 1/min	Reference speed

## Dimensions

$r_{\min}$	1 mm	Minimum chamfer dimension
$D_1$	52 mm	Bore diameter housing washer
$d_1$	78 mm	Lip diameter shaft washer

## Mounting dimensions

$d_{a \min}$	67 mm	Minimum diameter shaft shoulder
$D_{a \max}$	61 mm	Maximum diameter of housing shoulder
$r_{a \max}$	1 mm	Maximum recess radius

## Additional information

A	0,069	Minimum load factor
---	-------	---------------------