

FAG

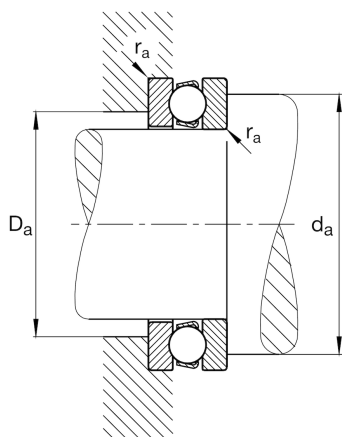
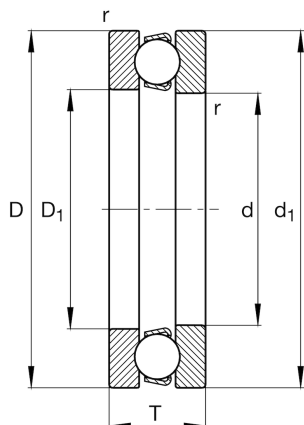
★ 51240-MP

Axial deep groove ball bearing

Schaeffler ID:
0167152410000Axial deep groove ball bearing 512...-MP,
single direction, solid brass cage

★ Preferred product

Technical information



Temperature range

T_{\min}	-30 °C	Operating temperature min.
T_{\max}	200 °C	Operating temperature max.
	11,939 kg	Weight

Main Dimensions & Performance Data

d	200 mm	Bore diameter
D	280 mm	Outside diameter
T	62 mm	Height
C_a	340.000 N	Basic dynamic load rating, axial
C_{0a}	1.220.000 N	Basic static load rating, axial
C_{ua}	36.000 N	Fatigue load limit, axial
n_G	1.510 1/min	Limiting speed
n_{gr}	1.890 1/min	Reference speed

Dimensions

r_{\min}	2 mm	Minimum chamfer dimension
D_1	204 mm	Bore diameter housing washer
d_1	275 mm	Lip diameter shaft washer

Mounting dimensions

$d_{a \min}$	248 mm	Minimum diameter shaft shoulder
$D_{a \max}$	232 mm	Maximum diameter of housing shoulder
$r_{a \max}$	2 mm	Maximum recess radius

Additional information

A	7,8	Minimum load factor
---	-----	---------------------