

FAG

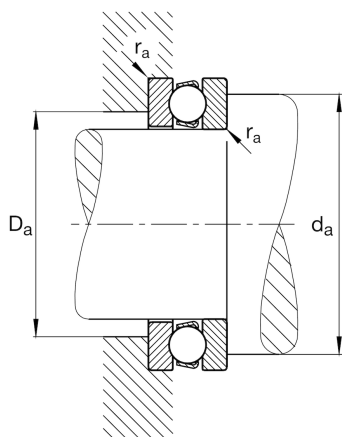
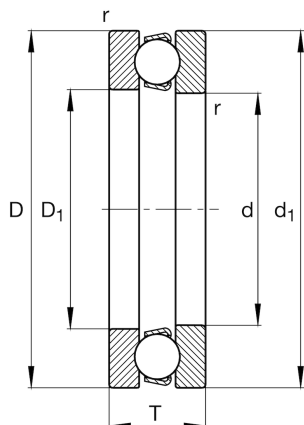
★ 51408

Axial deep groove ball bearing

Schaeffler ID:  
0190069000000Axial deep groove ball bearing 514, single  
direction, steel sheet metal cage

★ Preferred product

## Technical information



## Temperature range

$T_{min}$	-30 °C	Operating temperature min.
$T_{max}$	150 °C	Operating temperature max.
	1,083 kg	Weight

## Main Dimensions &amp; Performance Data

d	40 mm	Bore diameter
D	90 mm	Outside diameter
T	36 mm	Height
$C_a$	96.000 N	Basic dynamic load rating, axial
$C_{0a}$	170.000 N	Basic static load rating, axial
$C_{ua}$	7.700 N	Fatigue load limit, axial
$n_G$	3.250 1/min	Limiting speed
$n_{gr}$	7.600 1/min	Reference speed

## Dimensions

$r_{min}$	1,1 mm	Minimum chamfer dimension
$D_1$	42 mm	Bore diameter housing washer
$d_1$	90 mm	Lip diameter shaft washer

## Mounting dimensions

$d_{a min}$	70 mm	Minimum diameter shaft shoulder
$D_{a max}$	60 mm	Maximum diameter of housing shoulder
$r_{a max}$	1 mm	Maximum recess radius

## Additional information

A	0,18	Minimum load factor
---	------	---------------------