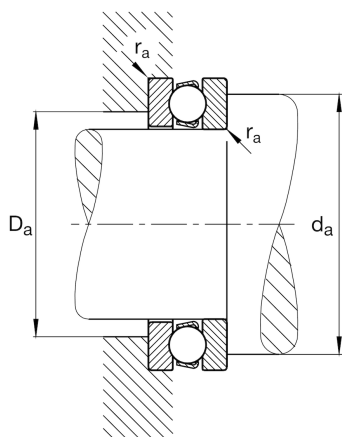
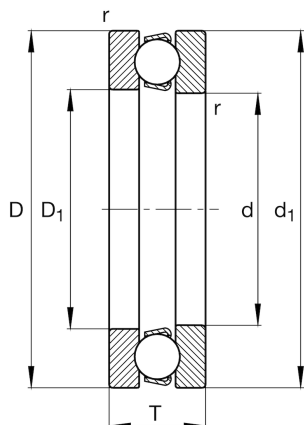
**FAG**★ **51410**

## Axial deep groove ball bearing

Schaeffler ID:  
0167154620000Axial deep groove ball bearing 514, single  
direction, steel sheet metal cage

★ Preferred product

## Technical information



## Temperature range

$T_{\min}$	-30 °C	Operating temperature min.
$T_{\max}$	150 °C	Operating temperature max.
	1,91 kg	Weight

## Main Dimensions &amp; Performance Data

d	50 mm	Bore diameter
D	110 mm	Outside diameter
T	43 mm	Height
$C_a$	138.000 N	Basic dynamic load rating, axial
$C_{0a}$	255.000 N	Basic static load rating, axial
$C_{ua}$	11.700 N	Fatigue load limit, axial
$n_G$	2.650 1/min	Limiting speed
$n_{gr}$	6.500 1/min	Reference speed

## Dimensions

$r_{\min}$	1,5 mm	Minimum chamfer dimension
$D_1$	52 mm	Bore diameter housing washer
$d_1$	110 mm	Lip diameter shaft washer

## Mounting dimensions

$d_{a\min}$	86 mm	Minimum diameter shaft shoulder
$D_{a\max}$	74 mm	Maximum diameter of housing shoulder
$r_{a\max}$	1,5 mm	Maximum recess radius

## Additional information

A	0,4	Minimum load factor
---	-----	---------------------