

FAG

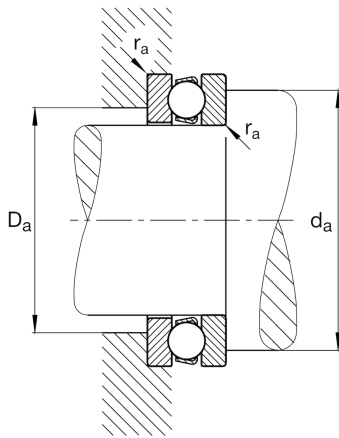
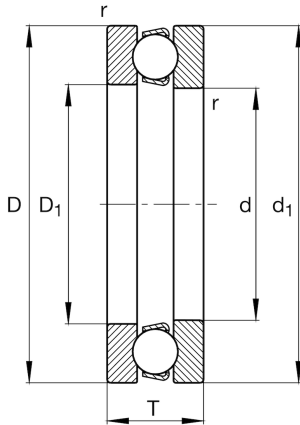
★ 51416-MP

Axial deep groove ball bearing

Schaeffler ID:
0190631800000Axial deep groove ball bearing 514...-MP,
single direction, solid brass cage

★ Preferred product

Technical information



Temperature range

| | | |
|------------|----------|----------------------------|
| T_{\min} | -30 °C | Operating temperature min. |
| T_{\max} | 150 °C | Operating temperature max. |
| | 8,028 kg | Weight |

Main Dimensions & Performance Data

| | | |
|----------|-------------|----------------------------------|
| d | 80 mm | Bore diameter |
| D | 170 mm | Outside diameter |
| T | 68 mm | Height |
| C_a | 270.000 N | Basic dynamic load rating, axial |
| C_{0a} | 620.000 N | Basic static load rating, axial |
| C_{ua} | 25.500 N | Fatigue load limit, axial |
| n_G | 1.710 1/min | Limiting speed |
| n_{gr} | 4.550 1/min | Reference speed |

Dimensions

| | | |
|------------|--------|------------------------------|
| r_{\min} | 2,1 mm | Minimum chamfer dimension |
| D_1 | 83 mm | Bore diameter housing washer |
| d_1 | 170 mm | Lip diameter shaft washer |

Mounting dimensions

| | | |
|--------------|--------|--------------------------------------|
| $d_{a \min}$ | 134 mm | Minimum diameter shaft shoulder |
| $D_{a \max}$ | 116 mm | Maximum diameter of housing shoulder |
| $r_{a \max}$ | 2,1 mm | Maximum recess radius |

Additional information

| | | |
|---|-----|---------------------|
| A | 2,2 | Minimum load factor |
|---|-----|---------------------|