

FAG

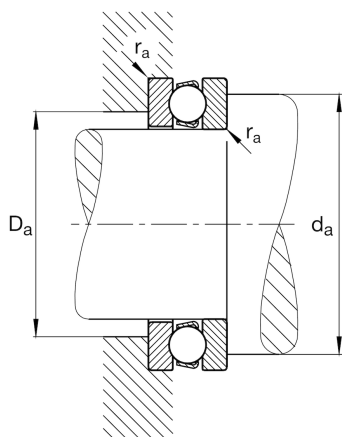
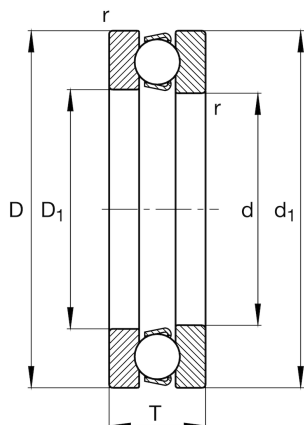
★ 51417-MP

Axial deep groove ball bearing

Schaeffler ID:
0190632020000Axial deep groove ball bearing 514...-MP,
single direction, solid brass cage

★ Preferred product

Technical information



Temperature range

T_{\min}	-30 °C	Operating temperature min.
T_{\max}	150 °C	Operating temperature max.
	9,231 kg	Weight

Main Dimensions & Performance Data

d	85 mm	Bore diameter
D	180 mm	Outside diameter
T	72 mm	Height
C_a	305.000 N	Basic dynamic load rating, axial
C_{0a}	750.000 N	Basic static load rating, axial
C_{ua}	30.000 N	Fatigue load limit, axial
n_G	1.620 1/min	Limiting speed
n_{gr}	4.250 1/min	Reference speed

Dimensions

r_{\min}	2,1 mm	Minimum chamfer dimension
D_1	88 mm	Bore diameter housing washer
d_1	177 mm	Lip diameter shaft washer

Mounting dimensions

$d_{a \min}$	142 mm	Minimum diameter shaft shoulder
$D_{a \max}$	123 mm	Maximum diameter of housing shoulder
$r_{a \max}$	2,1 mm	Maximum recess radius

Additional information

A	3	Minimum load factor
---	---	---------------------