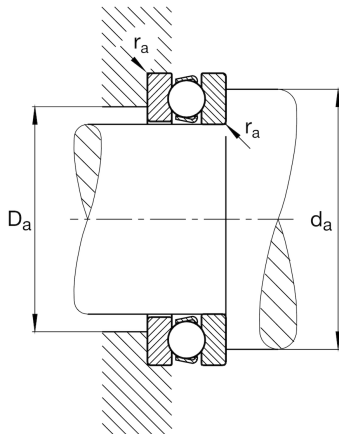
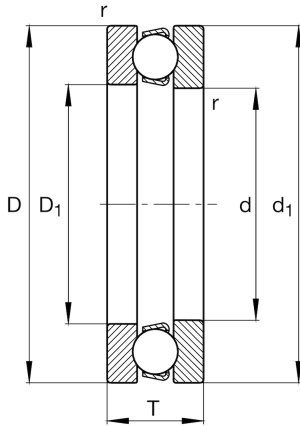
**FAG****51420-MP**

Axial deep groove ball bearing

Schaeffler ID:
0190632450000Axial deep groove ball bearing 514...-MP,
single direction, solid brass cage

Technical information

**Temperature range**

| | | |
|------------|-----------|----------------------------|
| T_{\min} | -30 °C | Operating temperature min. |
| T_{\max} | 150 °C | Operating temperature max. |
| | 14,681 kg | Weight |

Main Dimensions & Performance Data

| | | |
|----------|-------------|----------------------------------|
| d | 100 mm | Bore diameter |
| D | 210 mm | Outside diameter |
| T | 85 mm | Height |
| C_a | 375.000 N | Basic dynamic load rating, axial |
| C_{0a} | 1.060.000 N | Basic static load rating, axial |
| C_{ua} | 38.500 N | Fatigue load limit, axial |
| n_G | 1.350 1/min | Limiting speed |
| n_{gr} | 3.650 1/min | Reference speed |

Dimensions

| | | |
|------------|--------|------------------------------|
| r_{\min} | 3 mm | Minimum chamfer dimension |
| D_1 | 103 mm | Bore diameter housing washer |
| d_1 | 205 mm | Lip diameter shaft washer |

Mounting dimensions

| | | |
|-------------|--------|--------------------------------------|
| $d_{a\min}$ | 166 mm | Minimum diameter shaft shoulder |
| $D_{a\max}$ | 144 mm | Maximum diameter of housing shoulder |
| $r_{a\max}$ | 2,5 mm | Maximum recess radius |

Additional information

| | | |
|---|---|---------------------|
| A | 6 | Minimum load factor |
|---|---|---------------------|