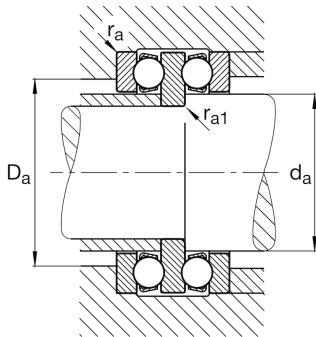
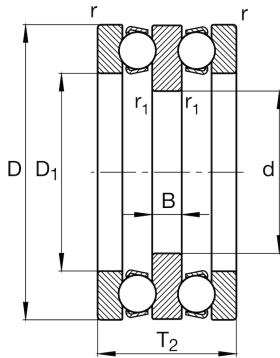
**FAG**★ **52202**

Axial deep groove ball bearing

Schaeffler ID:
0190069260000Axial deep groove ball bearing 522, double
direction, steel sheet metal cage

★ Preferred product

Technical information



Temperature range

T_{min}	-30 °C	Operating temperature min.
T_{max}	150 °C	Operating temperature max.
	85 g	Weight

Main Dimensions & Performance Data

d	10 mm	Bore diameter
D	32 mm	Outside diameter
T_2	22 mm	Height
C_a	16.600 N	Basic dynamic load rating, axial
C_{0a}	24.800 N	Basic static load rating, axial
C_{ua}	1.130 N	Fatigue load limit, axial
n_G	9.800 1/min	Limiting speed
n_{gr}	13.700 1/min	Reference speed

Dimensions

D_1	17 mm	Bore diameter housing washer
B	5 mm	Height shaft washer
r_{min}	0,6 mm	Minimum chamfer dimension
$r_{1 min}$	0,3 mm	Minimum chamfer dimension

Mounting dimensions

$d_{a max}$	15 mm	Maximum mounting dimension shaft
$D_{a max}$	22 mm	Maximum diameter of housing shoulder
$r_{a max}$	0,6 mm	Maximum recess radius
$r_{a1 max}$	0,3 mm	Maximum recess radius

Additional information

A	0,003	Minimum load factor
---	-------	---------------------